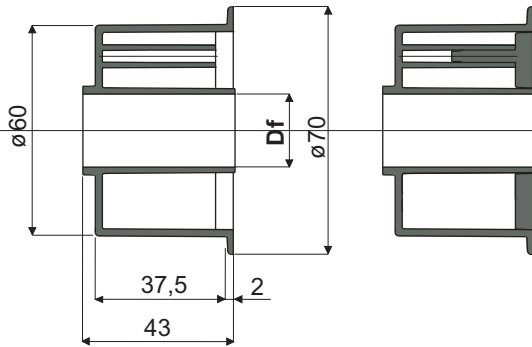
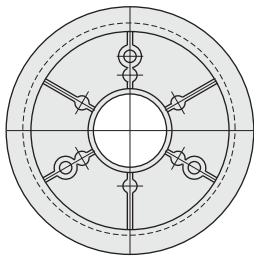


# Roller for chain return

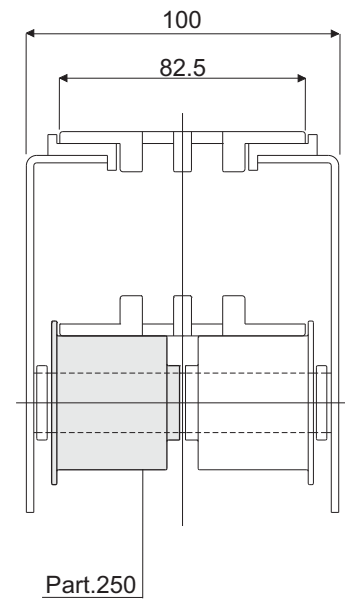
(with flange)

Part. **250**



Without cap closure

With cap closure



Example of application

Df Bore for pin of (mm)	Without cap closure	With cap closure
	Code	Code
15	250 / 82201	250 / 82219
16	250 / 82202	250 / 82220
18	250 / 82203	250 / 82221
20	250 / 82204	250 / 82222

**MATERIALS:** Roller made out of polyamide black colour; cap made out of polyamide colour grey.

**FEATURES:** To be assembled in the chain return.

**BOX QUANTITY:** 96 pieces.

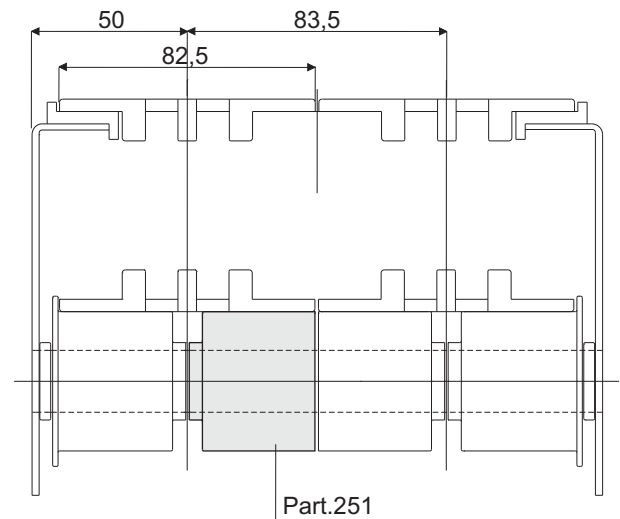
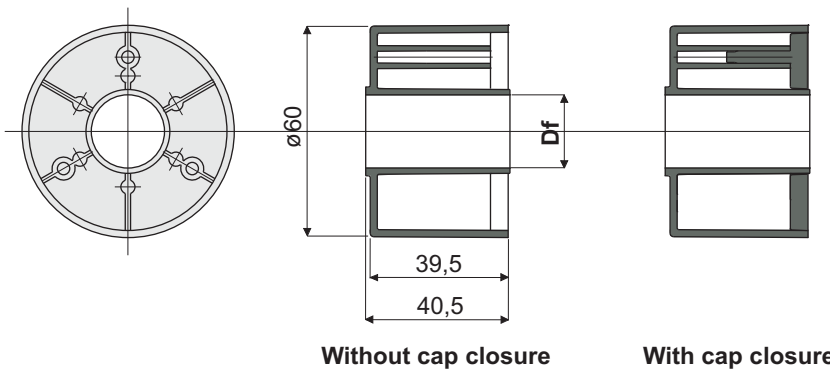
**ON REQUEST:**

- Rollers: Special bores, other colours.
- Box Quantity: According to your request.

# Roller for chain return

(without flange)

Part. **251**



Example of application

Df Bore for pin of (mm)	Without cap closure	With cap closure
	Code	Code
15	251 / 82205	251 / 82223
16	251 / 82206	251 / 82224
18	251 / 82207	251 / 82225
20	251 / 82208	251 / 82226

**MATERIALS:** Roller made out of polyamide black colour; cap made out of polyamide grey colour.

**FEATURES:** To be assembled in the chain return.

**BOX QUANTITY:** 96 pieces.

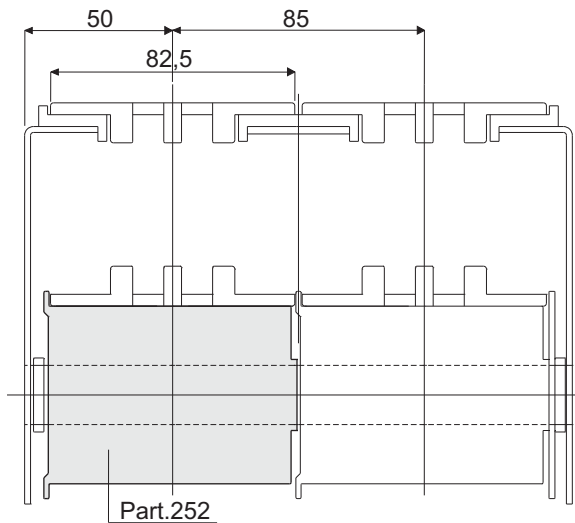
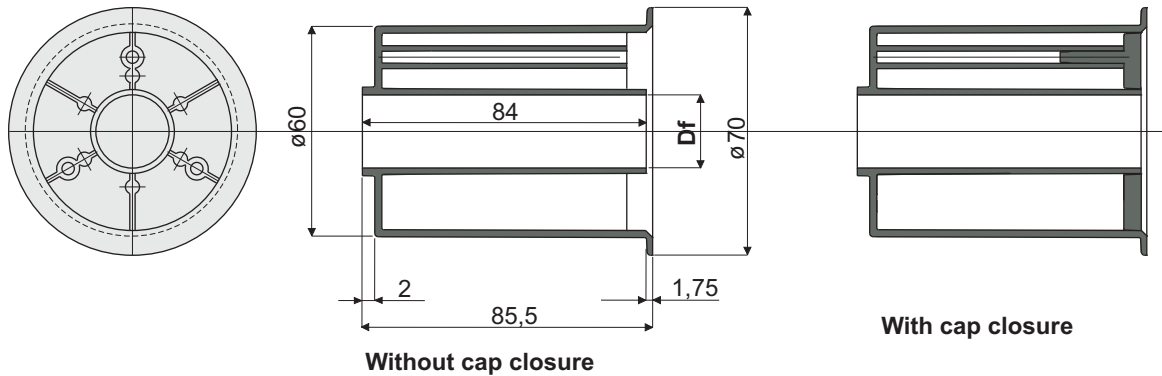
**ON REQUEST:**

- Rollers: Special bores, other colours.
- Box Quantity: According to your request.

# Roller for chain return

(with flange)

Part. **252**



Example of application

Df Bore for pin of (mm)	Without cap closure	With cap closure
	Code	Code
12	252 / 82624	252 / 82625
14	252 / 82258	252 / 82259
15	252 / 82227	252 / 82231
16	252 / 82228	252 / 82232
18	252 / 82229	252 / 82233
20	252 / 82230	252 / 82234
25	252 / 83307	-
30	252 / 83309	-

**MATERIALS:** Roller made out of polyamide black colour; cap made out of polyamide grey colour.

**FEATURES:** To be assembled in the chain return.

**BOX QUANTITY:** 48 pieces.

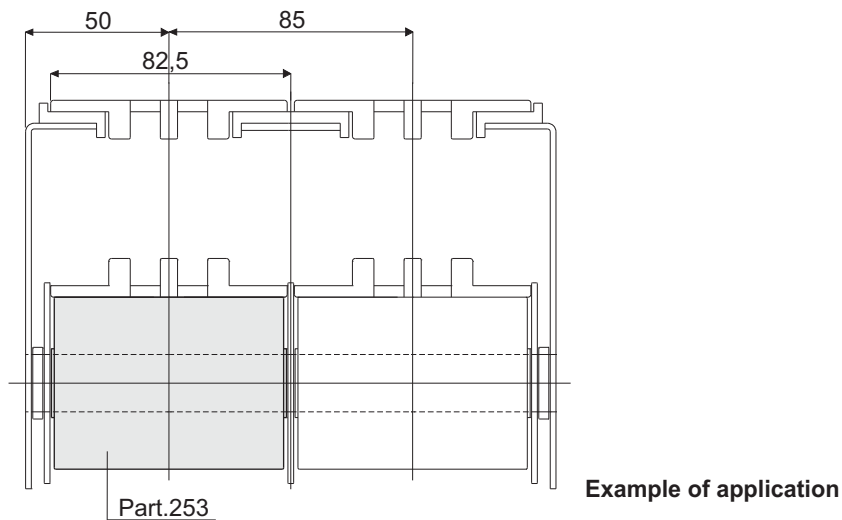
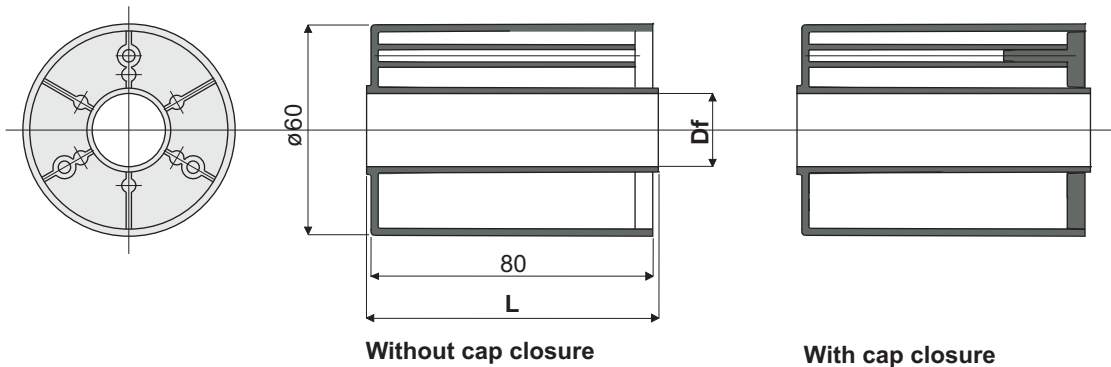
**ON REQUEST:**

- Rollers: Special bores, other colours.
- Box Quantity: According to your request.

# Roller for chain return

(without flange)

Part. **253**



Df Bore for pin of (mm)	Without cap closure		With cap closure	
	L = 82 mm Code	L = 84 mm Code	L = 82 mm Code	L = 84 mm Code
12	253 / 82626	253 / 82627	253 / 82628	253 / 82629
14	253 / 82260	253 / 82261	253 / 82262	253 / 82263
15	253 / 82235	253 / 82239	253 / 82243	253 / 82247
16	253 / 82236	253 / 82240	253 / 82244	253 / 82248
18	253 / 82237	253 / 82241	253 / 82245	253 / 82249
20	253 / 82238	253 / 82242	253 / 82246	253 / 82250
25	-	253 / 83313	-	-
30	-	253 / 83314	-	-

**MATERIALS:** Roller made out of polyamide black colour; cap made out of polyamide grey colour.

**FEATURES:** To be assembled in the chain return.

**BOX QUANTITY:** 48 pieces.

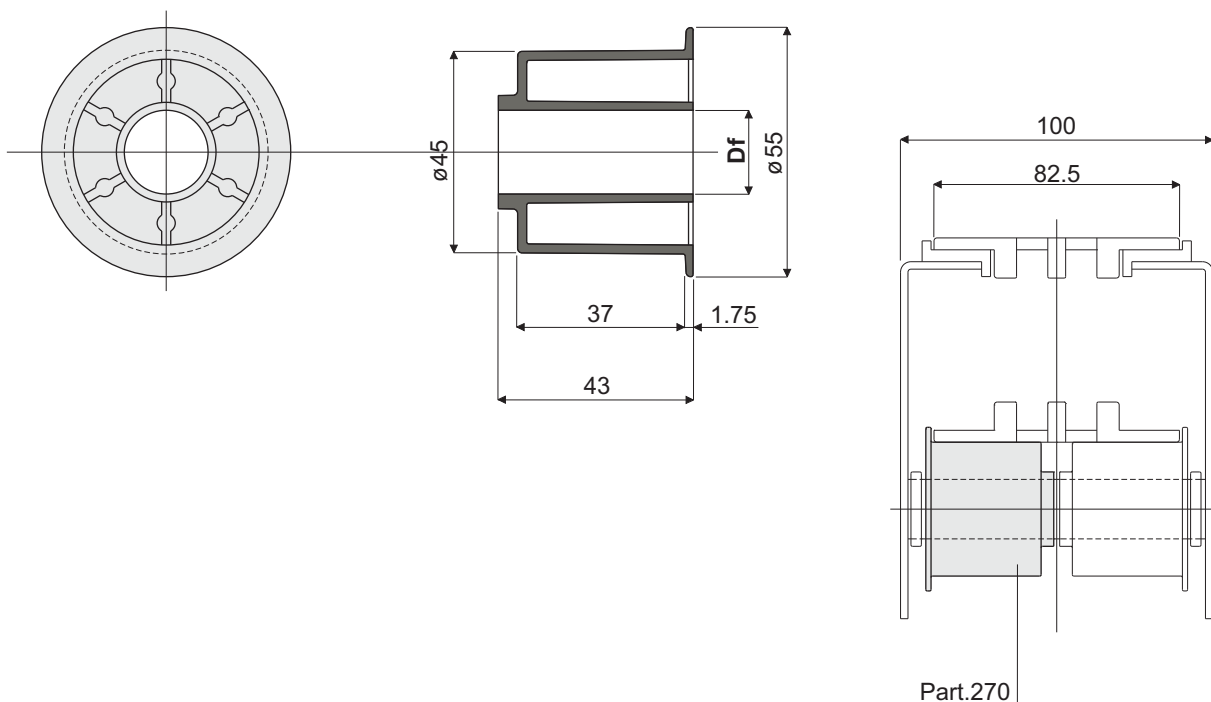
**ON REQUEST:**

- **Rollers:** Special bores, other colours.
- **Box Quantity:** According to your request.

# Roller for chain return

(with flange)

Part. **270**



Example of application

Df Bore for pin of (mm)	Code
15	270 / 82042
20	270 / 82043

**MATERIALS:** Roller made of polyamide black colour.

**FEATURES:** To be assembled in the chain return.

**BOX QUANTITY:** 96 pieces.

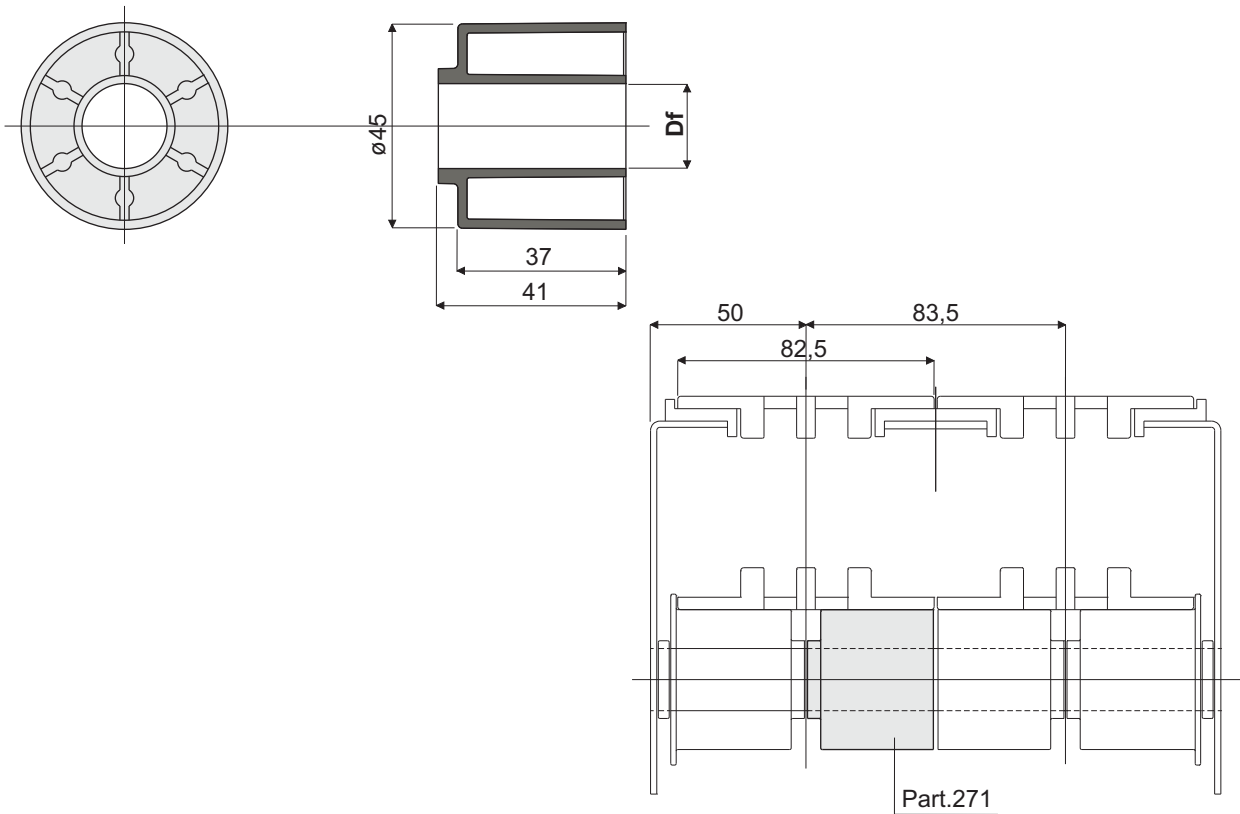
**ON REQUEST:**

- **Rollers:** Special bores, other colours.
- **Box Quantity:** According to your request.

# Roller for chain return

(without flange)

Part. **271**



Part.271

Example of application

Df	Code
Bore for pin of (mm)	
15	271 / 82044
20	271 / 82045

**MATERIALS:** Roller made of polyamide black colour.

**FEATURES:** To be assembled in the chain return.

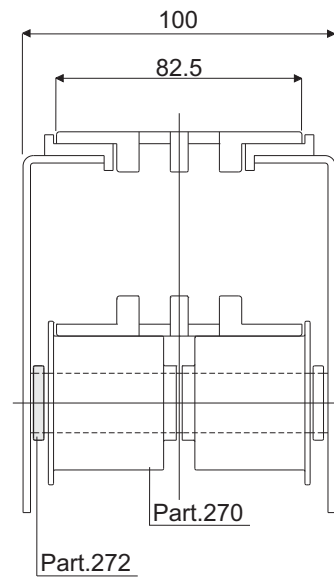
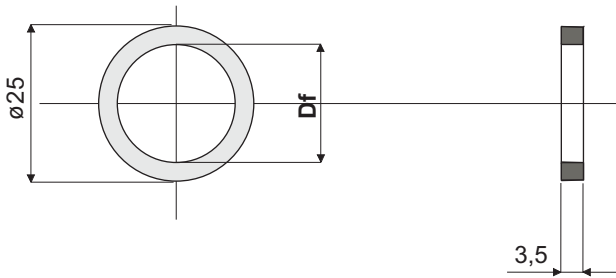
**BOX QUANTITY:** 96 pieces.

**ON REQUEST:**

- Rollers: Special bores, other colours.
- Box Quantity: According to your request.

# Spacer for rollers for chain return

Part. **272**



Example of application

Df Bore for pin of (mm)	Code
15	272 / 82046
20	272 / 82047

**MATERIALS:** Spacer made of polyamide black colour.

**FEATURES:** To be assembled in the chain return.

**BOX QUANTITY:** 96 pieces.

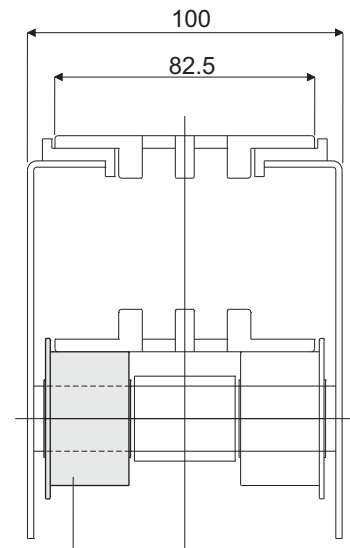
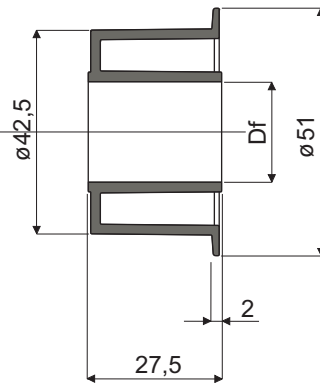
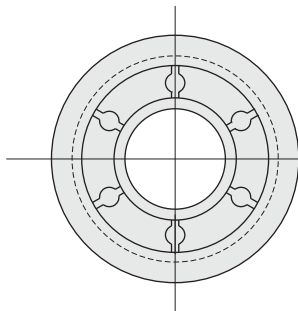
**ON REQUEST:**

- Spacers: Special bores, other colours.
- Box Quantity: According to your request.

# Roller for chain return

(with flange)

Part. **273**



Part.273

Example of application

Df Bore for pin of (mm)	Code
12	273 / 82048
16	273 / 82049
18	273 / 82050
20	273 / 82051

**MATERIALS:** Roller made of polyamide black colour.

**FEATURES:** To be assembled in the chain return.

**BOX QUANTITY:** 96 pieces.

**ON REQUEST:**

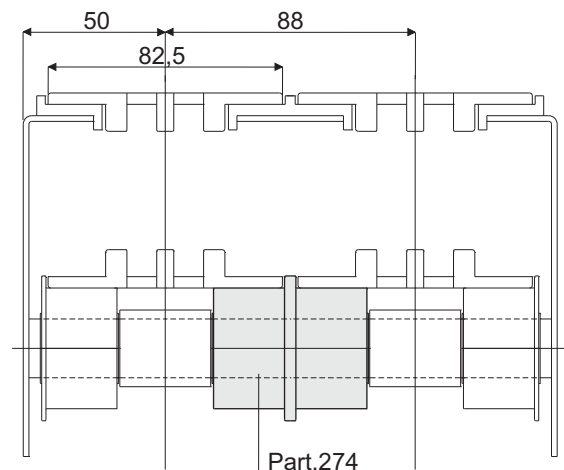
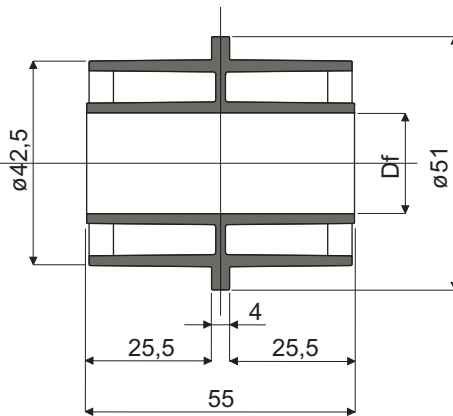
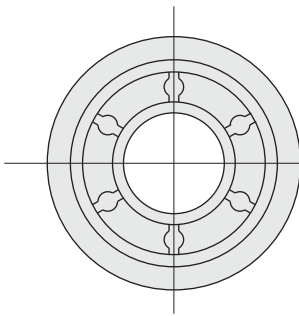
- Rollers: Special bores, other colours.
- Box Quantity: According to your request.



# Double roller for chain return

(with central flange)

Part. **274**



Example of application

Df Bore for pin of (mm)	Code
12	274 / 82052
16	274 / 82053
18	274 / 82054
20	274 / 82055

**MATERIALS:** Roller made of polyamide black colour.

**FEATURES:** To be assembled in the chain return.

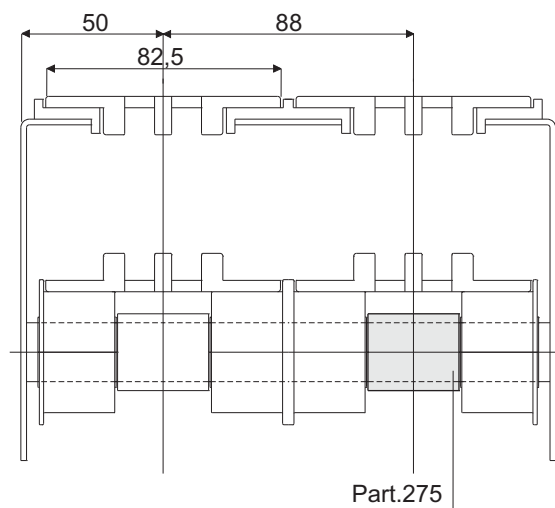
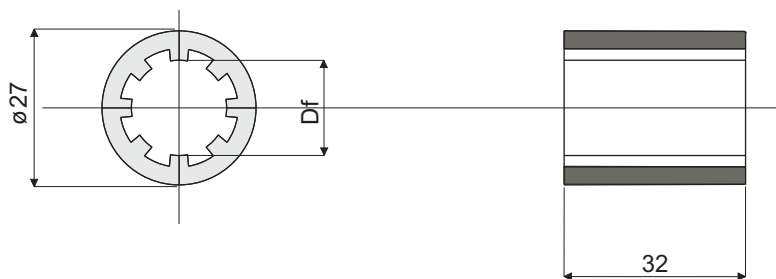
**BOX QUANTITY:** 96 pieces.

**ON REQUEST:**

- Rollers: Special bores, other colours.
- Box Quantity: According to your request.

# Spacer for rollers for chain return

Part. **275**



Example of application

Df	Code
Bore for pin of (mm)	
12	275 / 82056
16	275 / 82057
18	275 / 82058
20	275 / 82059

**MATERIALS:** Spacer made of polyamide black colour.

**FEATURES:** To be assembled in the chain return.

**BOX QUANTITY:** 96 pieces.

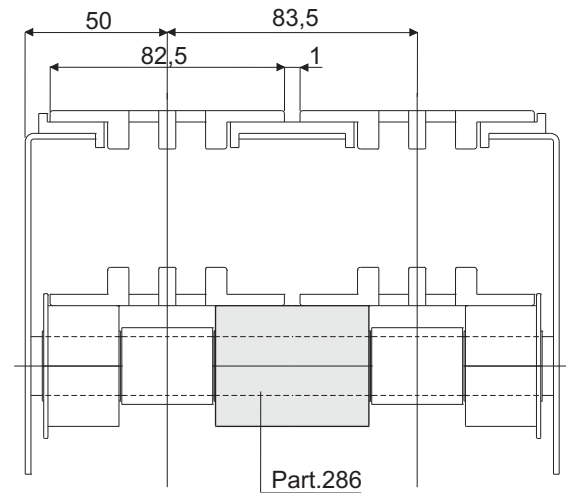
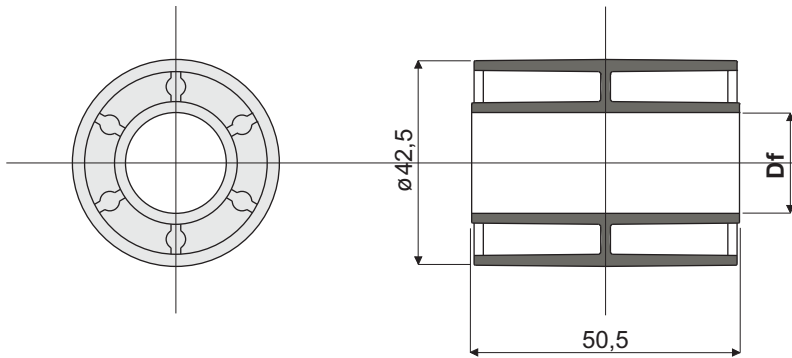
**ON REQUEST:**

- Spacers: Special bores, other colours.
- Box Quantity: According to your request.

# Double roller for chain return

(without central flange)

Part. **286**



Example of application

Df Bore for pin of (mm)	Code
12	286 / 82532
16	286 / 82533
18	286 / 82534
20	286 / 82535

**MATERIALS:** Roller made of polyamide black colour.

**FEATURES:** To be assembled in the chain return.

**BOX QUANTITY:** 96 pieces.

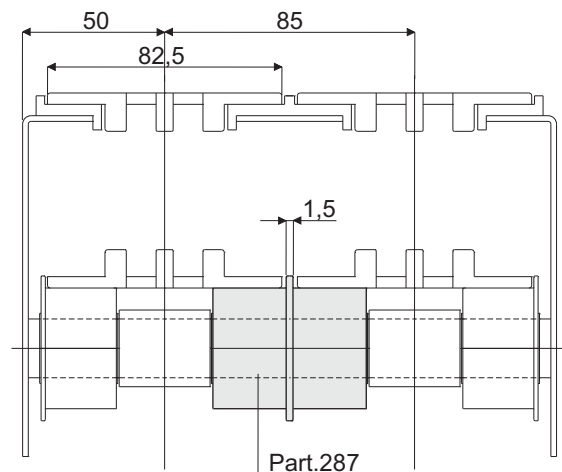
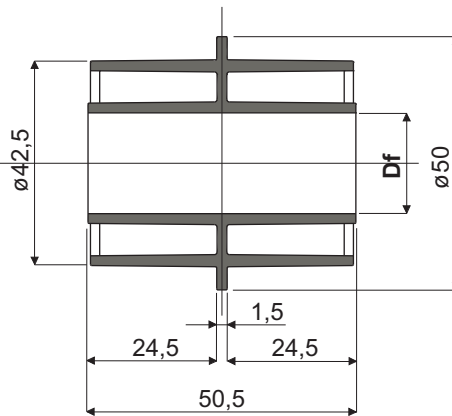
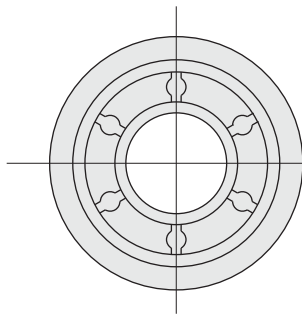
**ON REQUEST:**

- Rollers: Special bores, other colours.
- Box Quantity: According to your request.

# Double roller for chain return

(with central flange)

Part. **287**



Example of application

Df	Code
Bore for pin of (mm)	
12	287 / 82536
16	287 / 82537
18	287 / 82538
20	287 / 82539

**MATERIALS:** Roller made of polyamide black colour.

**FEATURES:** To be assembled in the chain return.

**BOX QUANTITY:** 96 pieces.

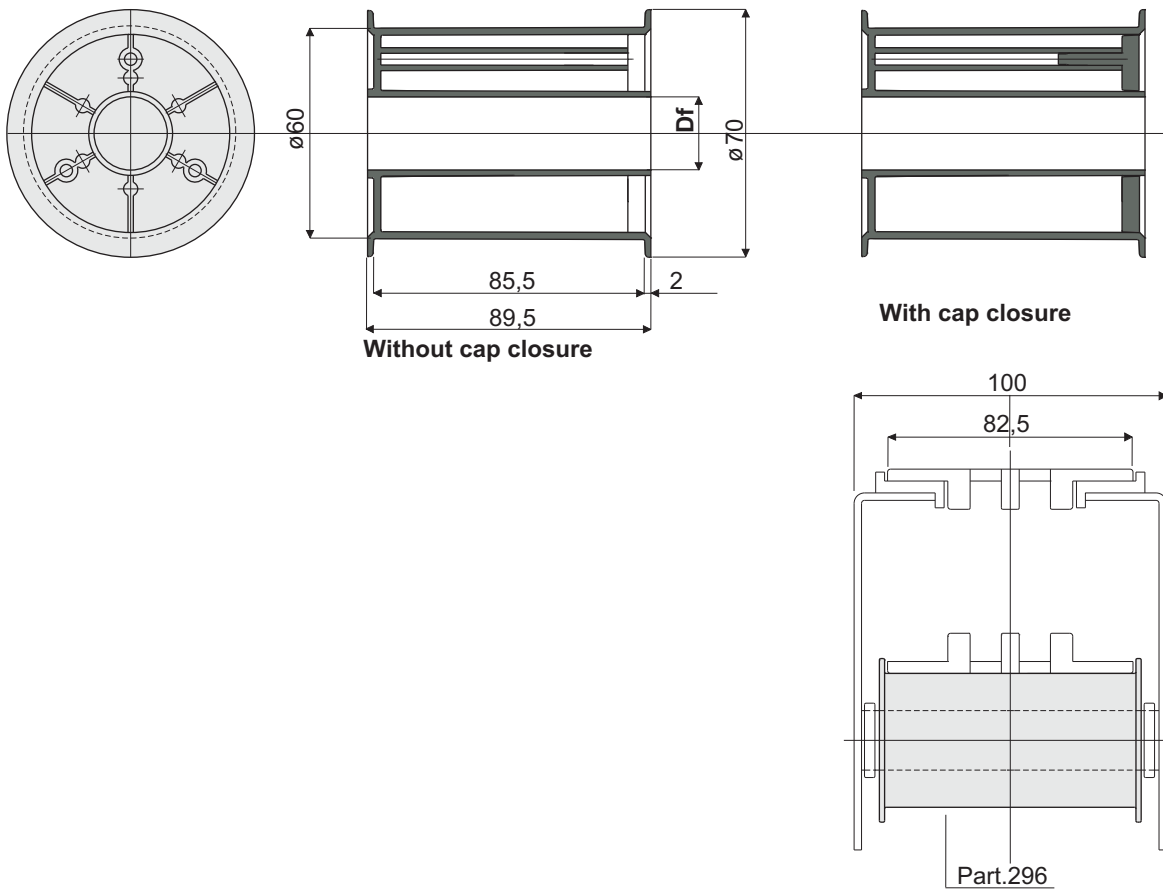
**ON REQUEST:**

- Rollers: Special bores, other colours.
- Box Quantity: According to your request.

# Roller for chain return

(with double flange)

Part. **296**



Df Bore for pin of (mm)	Without cap closure	With cap closure
	Code	Code
12	296 / 82611	296 / 82612
14	296 / 82613	296 / 82614
15	296 / 82615	296 / 82616
16	296 / 82617	296 / 82618
18	296 / 82619	296 / 82620
20	296 / 82621	296 / 82622

**MATERIALS:** Roller made out of polyamide black colour; cap made out of polyamide grey colour.

**FEATURES:** To be assembled in the chain return.

**BOX QUANTITY:** 48 pieces.

**ON REQUEST:**

- Rollers: Special bores, other colours.
- Box Quantity: According to your request.

Example of application