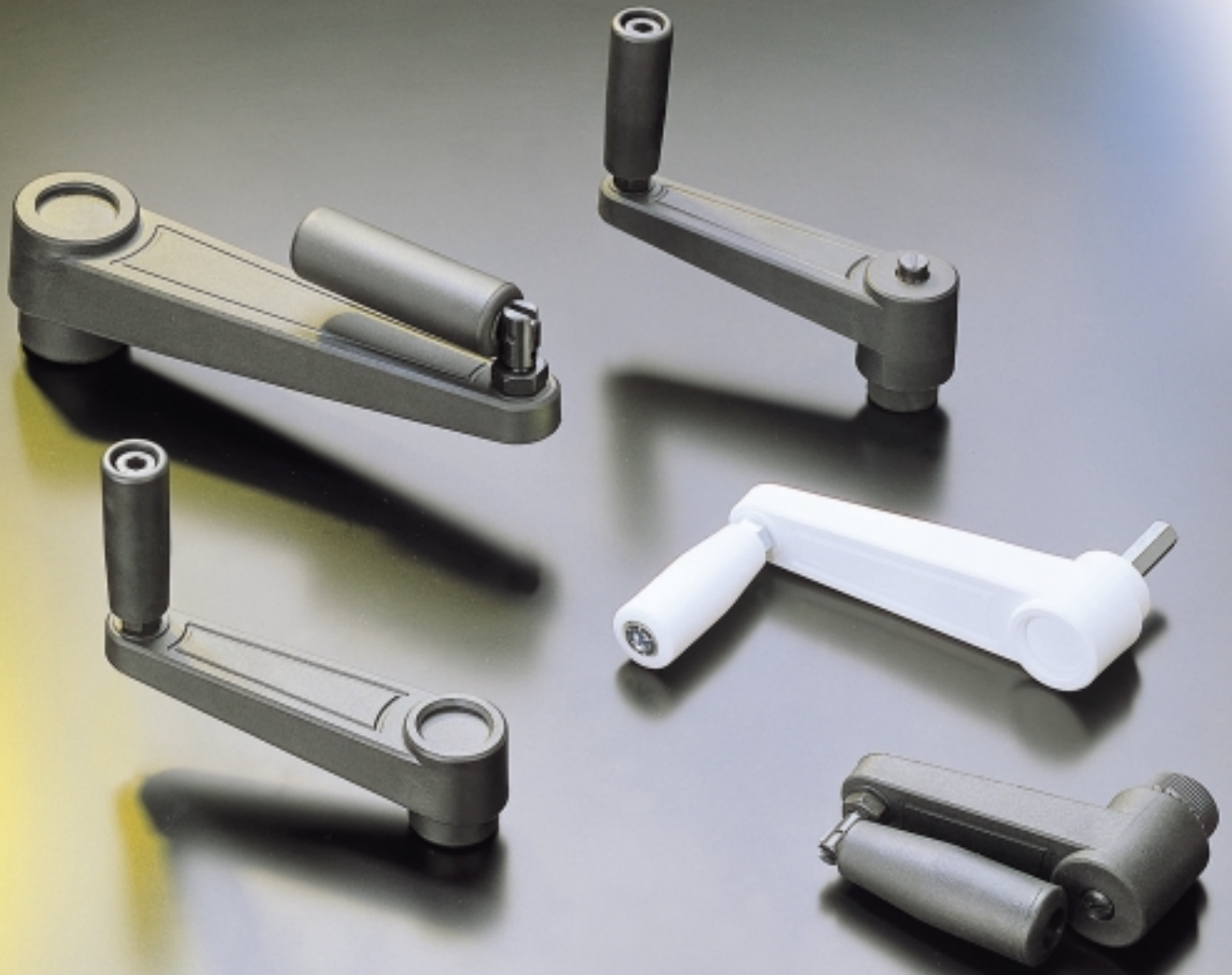


**FIXED AND
INDEXED
CRANK HANDLES**



BOTECO®

ALL PURPOSE HANDGRIPS

ART. E215

CRANK HANDLE WITH THREADED INSERT AND REVOLVING HANDLE

MATERIAL:

Reinforced polyamide.
Oils and greases resistant.

SURFACE:

Satin.

COLOUR:

Black (RAL 9011).

MAIN INSERT:

Brass blind threaded bush.
(*) Zinc plated steel blind threaded bush.

SIDE INSERT:

Brass right through threaded bush.

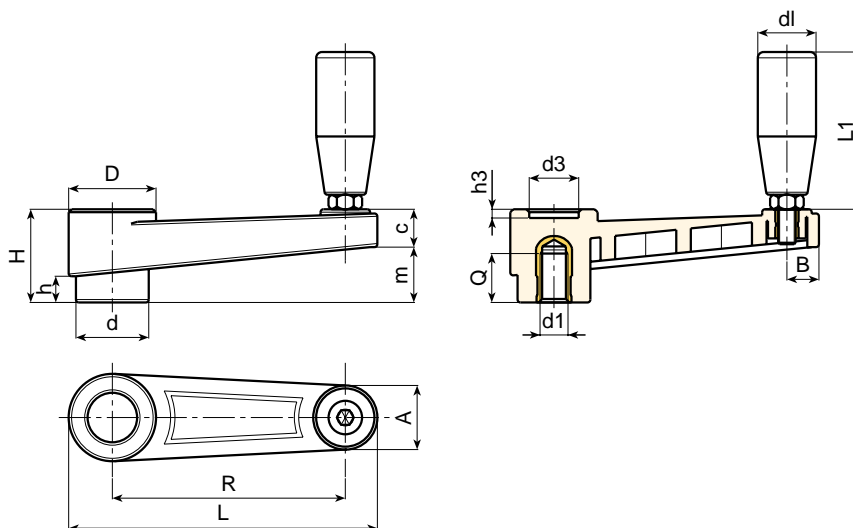
SIDE HANDLE:

Revolving handle Art. M144 (see chapter M on page 6).



SPECIAL REQUESTS:

- It is possible to supply the inserts in different materials, on request and for quantities.
- It is possible to supply arm and handle with colours as shown in the table at page 15, on request and for quantities.



Art.	L	R	H	D	d	m	c	A	B	h	d3	h3	d1	Q	dI	L1	Weight (gr)
E215-65 M08	88	65	30	26	22	17	13	18	9,5	8	15	3	M08	15	20	56	67
E215-65 M10	88	65	30	26	22	17	13	18	9,5	8	15	3	M10	15	20	56	70
E215-65 M12	88	65	30	26	22	17	13	18	9,5	8	15	3	M12	18	20	56	73
E215-80 M08	106	80	33	30	26	20	13	21,5	11	9	17	3	M08	18	20	56	83
E215-80 M10	106	80	33	30	26	20	13	21,5	11	9	17	3	M10	18	20	56	87
E215-80 M12	106	80	33	30	26	20	13	21,5	11	9	17	3	M12	18	20	56	90
E215-110 M10	138	110	39	33	28,5	22	14	22	12	11	21	3,5	M10	14	21	65	135
E215-110 M12	138	110	39	33	28,5	22	14	22	12	11	21	3,5	M12	18	21	65	137
E215-110 M14	138	110	39	33	28,5	22	14	22	12	11	21	3,5	M14	18	21	65	140
E215-140 M12	173	140	49	43	35	34	16	25,5	13,5	15	27	3	M12	19	23	76	238
E215-140 M14	173	140	49	43	35	34	16	25,5	13,5	15	27	3	M14	18	23	76	223
E215-140 M16	173	140	49	43	35	34	16	25,5	13,5	15	27	3	(*) M16	18	23	76	251
E215-180 M12	219	180	54	46	39	40	16,5	26,5	14	16,5	27,5	4	M12	17	25	86	312
E215-180 M14	219	180	54	46	39	40	16,5	26,5	14	16,5	27,5	4	M14	19	25	86	320
E215-180 M16	219	180	54	46	39	40	16,5	26,5	14	16,5	27,5	4	(*) M16	18	25	86	331



BOTECA

ART. E220

CRANK HANDLE WITH THREADED INSERT AND REVOLVING HANDLE M145

MATERIAL:
Reinforced polyamide.
Oils and greases resistant.

SURFACE:
Satin.

COLOUR:
Black (RAL 9011).

MAIN INSERT:
Brass blind threaded bush.
(*) Zinc plated steel blind threaded bush.

SIDE INSERT:
Brass right through threaded bush.

SIDE HANDLE:
Revolving handle Art. M145
(see chapter M on page 8).

SPECIAL REQUESTS:

- It is possible to supply the inserts in different materials, on request and for quantities.
- It is possible to supply arm and handle with colours as shown in the table at page 15, on request and for quantities.



Art.	L	R	H	D	d	m	c	A	B	h	d3	h3	d1	Q	dl	L1	Weight (gr)
E220-65 M08	88	65	30	26	22	17	13	18	9,5	8	15	3	M08	15	20	56	69
E220-65 M10	88	65	30	26	22	17	13	18	9,5	8	15	3	M10	15	20	56	72
E220-65 M12	88	65	30	26	22	17	13	18	9,5	8	15	3	M12	18	20	56	75
E220-80 M08	106	80	33	30	26	19	13	21,5	11	9	17	3	M08	18	20	56	85
E220-80 M10	106	80	33	30	26	19	13	21,5	11	9	17	3	M10	18	20	56	89
E220-80 M12	106	80	33	30	26	19	13	21,5	11	9	17	3	M12	18	20	56	92
E220-110 M10	138	110	39	33	28,5	22	14	22	12	11	21	3,5	M10	14	23	66	149
E220-110 M12	138	110	39	33	28,5	22	14	22	12	11	21	3,5	M12	18	23	66	151
E220-110 M14	138	110	39	33	28,5	22	14	22	12	11	21	3,5	M14	18	23	66	154
E220-140 M12	173	140	49	43	35	34	16	25,5	13,5	15	27	3	M12	19	25	77	228
E220-140 M14	173	140	49	43	35	34	16	25,5	13,5	15	27	3	M14	18	25	77	213
E220-140 M16	173	140	49	43	35	34	16	25,5	13,5	15	27	3	(*) M16	18	25	77	241
E220-180 M12	219	180	54	46	39	40	16,5	26,5	14	16,5	27,5	4	M12	17	25	87	304
E220-180 M14	219	180	54	46	39	40	16,5	26,5	14	16,5	27,5	4	M14	19	25	87	310
E220-180 M16	219	180	54	46	39	40	16,5	26,5	14	16,5	27,5	4	(*) M16	18	25	87	321

ART. E219

CRANK HANDLE WITH THREADED INSERT AND REVOLVING HANDLE M129

MATERIAL:
Reinforced polyamide.
Oils and greases resistant.

SURFACE:
Satin.

COLOUR:
Black (RAL 9011).

MAIN INSERT:
Brass blind threaded bush.
(*) Zinc plated steel blind threaded bush.

SIDE INSERT:
Brass right through threaded bush.

SIDE HANDLE:
Revolving handle Art. M129
(see chapter M on page 9).

SPECIAL REQUESTS:

- It is possible to supply the inserts in different materials, on request and for quantities.
- It is possible to supply arm and handle with colours as shown in the table at page 15, on request and for quantities.



Art.	L	R	H	D	d	m	c	A	B	h	d3	h3	d1	Q	dl	L1	Weight (gr)
E219-65 M08	88	65	30	26	22	17	13	18	9,5	8	15	3	M08	15	20	52	79
E219-65 M10	88	65	30	26	22	17	13	18	9,5	8	15	3	M10	15	20	52	82
E219-65 M12	88	65	30	26	22	17	13	18	9,5	8	15	3	M12	18	20	52	85
E219-80 M08	106	80	33	30	26	19	13	21,5	11	9	17	3	M08	18	20	52	95
E219-80 M10	106	80	33	30	26	19	13	21,5	11	9	17	3	M10	18	20	52	99
E219-80 M12	106	80	33	30	26	19	13	21,5	11	9	17	3	M12	18	20	52	102
E219-110 M10	138	110	39	33	28,5	22	14	22	12	11	21	3,5	M10	14	23	62	150
E219-110 M12	138	110	39	33	28,5	22	14	22	12	11	21	3,5	M12	18	23	62	160
E219-110 M14	138	110	39	33	28,5	22	14	22	12	11	21	3,5	M14	18	23	62	165
E219-140 M12	173	140	49	43	35	34	16	25,5	13,5	15	27	3	M12	19	25	72	262
E219-140 M14	173	140	49	43	35	34	16	25,5	13,5	15	27	3	M14	18	25	72	249
E219-140 M16	173	140	49	43	35	34	16	25,5	13,5	15	27	3	(*) M16	18	25	72	275
E219-180 M12	219	180	54	46	39	40	16,5	26,5	14	16,5	27,5	4	M12	17	25	82	312
E219-180 M14	219	180	54	46	39	40	16,5	26,5	14	16,5	27,5	4	M14	19	25	82	320
E219-180 M16	219	180	54	46	39	40	16,5	26,5	14	16,5	27,5	4	(*) M16	18	25	82	331



BOTECA

ART. E218

CRANK HANDLE WITH THREADED INSERT AND REVOLVING AND FOLDING HANDLE

MATERIAL:

Reinforced polyamide.
Oils and greases resistant.

SURFACE:

Satin.

COLOUR:

Black (RAL 9011).

MAIN INSERT:

Brass blind threaded bush.
(*) Zinc plated steel blind threaded bush.

SIDE INSERT:

Brass right through threaded bush.

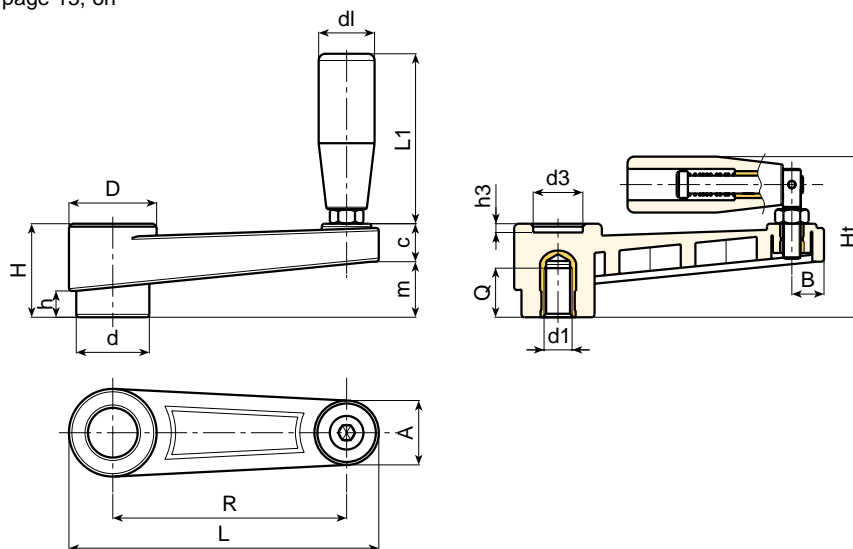
SIDE HANDLE:

Revolving handle and folding Art. M136
(see chapter M on page 10).



SPECIAL REQUESTS:

- It is possible to supply the inserts in different materials, on request and for quantities.
- It is possible to supply arm and handle with colours as shown in the table at page 15, on request and for quantities.



Art.	L	R	H	Ht	D	d	m	c	A	B	h	d3	h3	d1	Q	dl	L1	Weight (gr)
E218-65 M08	88	65	30	54	26	22	17	13	18	9,5	8	15	3	M08	15	20	54	78
E218-65 M10	88	65	30	54	26	22	17	13	18	9,5	8	15	3	M10	15	20	54	78
E218-65 M12	88	65	30	54	26	22	17	13	18	9,5	8	15	3	M12	18	20	54	83
E218-80 M08	106	80	33	57	30	26	19	13	21,5	11	9	17	3	M08	18	20	54	94
E218-80 M10	106	80	33	57	30	26	19	13	21,5	11	9	17	3	M10	18	20	54	95
E218-80 M12	106	80	33	57	30	26	19	13	21,5	11	9	17	3	M12	18	20	54	100
E218-110 M10	138	110	39	67,5	33	28,5	22	14	22	12	11	21	3,5	M10	16	25	75	156
E218-110 M12	138	110	39	67,5	33	28,5	22	14	22	12	11	21	3,5	M12	18	25	75	156
E218-110 M14	138	110	39	67,5	33	28,5	22	14	22	12	11	21	3,5	M14	18	25	75	156
E218-140 M12	173	140	49	82	43	35	34	16	25,5	13,5	15	27	3	M12	19	26	89	274
E218-140 M14	173	140	49	82	43	35	34	16	25,5	13,5	15	27	3	M14	18	26	89	283
E218-140 M16	173	140	49	82	43	35	34	16	25,5	13,5	15	27	3	M16 (*)	18	26	89	290
E218-180 M12	219	180	54	88	46	39	40	16,5	26,5	14	16,5	27,5	4	M12	17	26	97	340
E218-180 M14	219	180	54	88	46	39	40	16,5	26,5	14	16,5	27,5	4	M14	19	26	97	345
E218-180 M16	219	180	54	88	46	39	40	16,5	26,5	14	16,5	27,5	4	M16 (*)	18	26	97	360



BOTECA

ART. E216

CRANK HANDLE WITH SMOOTH INSERT AND REVOLVING HANDLE

MATERIAL:

Reinforced polyamide.
Oils and greases resistant.

SURFACE:

Satin.

COLOUR:

Black (RAL 9011).

MAIN INSERT:

Zinc plated steel blind bored bush with H7 tolerance.

SIDE INSERT:

Brass right through threaded bush.

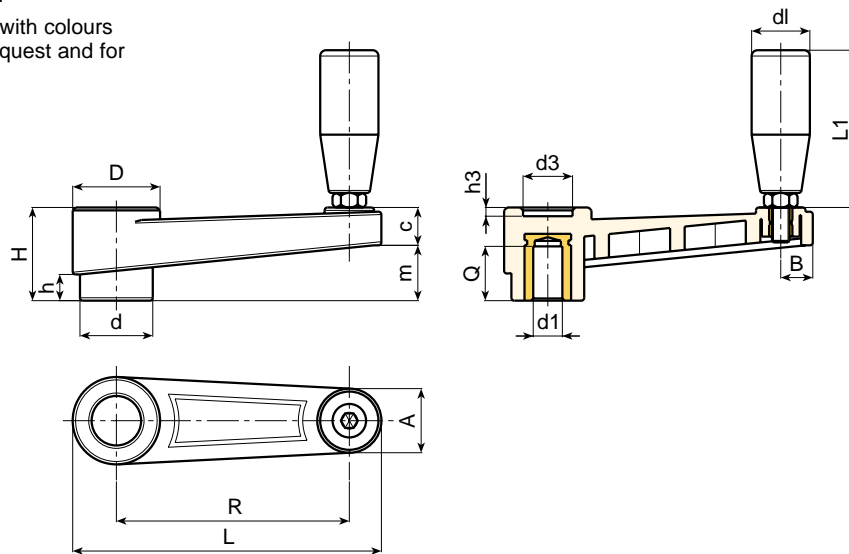
SIDE HANDLE:

Revolving handle Art. M144 (see chapter M on page 6).



SPECIAL REQUESTS:

- It is possible to supply the inserts with d1 diameter by customer design, on request and for quantities.
- It is possible to supply the inserts with different treatment-finishes, on request and for quantities.
- It is possible to supply the inserts in different materials, on request and for quantities.
- It is possible to supply arm and handle with colours as shown in the table at page 15, on request and for quantities.



Art.	L	R	H	D	d	m	c	A	B	h	d3	h3	dm	d1 H7	Q	dI	L1	Weight (gr)
E216-65 D05	88	65	30	26	22	17	13	18	9,5	8	15	3	12	D05 H9	20	20	56	96
E216-65 D10	88	65	30	26	22	17	13	18	9,5	8	15	3	12	D10	20	20	56	92
E216-80 D05	106	80	33	30	26	19	13	21,5	11	9	17	3	14	D05 H9	20	20	56	110
E216-80 D10	106	80	33	30	26	19	13	21,5	11	9	17	3	14	D10	20	20	56	105
E216-110 D05	138	110	39	33	28,5	22	14	22	12	11	21	3,5	14	D05 H9	22	21	66	160
E216-110 D12	138	110	39	33	28,5	22	14	22	12	11	21	3,5	14	D12	22	21	66	152
E216-140 D05	173	140	49	43	35	34	16	25,5	13,5	15	27	3	20	D05 H9	22	23	76	250
E216-140 D14	173	140	49	43	35	34	16	25,5	13,5	15	27	3	20	D14	22	23	76	242
E216-180 D05	219	180	54	46	39	40	16,5	26,5	14	16,5	27,5	4	24	D05 H9	26	25	86	430
E216-180 D16	219	180	54	46	39	40	16,5	26,5	14	16,5	27,5	4	24	D16	26	25	86	385

It's possible to increase the hole, by boring, until **dm**.



BOTECA

ART. E221

CRANK HANDLE WITH SMOOTH INSERT AND REVOLVING HANDLE M145



MATERIAL:

Reinforced polyamide.
Oils and greases resistant.

SURFACE:

Satin.

COLOUR:

Black (RAL 9011).

MAIN INSERT:

Zinc plated steel blind bored bush with
H7 tolerance.

SIDE INSERT:

Brass right through threaded bush.

SIDE HANDLE:

Revolving handle Art. M145
(see chapter M on page 8).

SPECIAL REQUESTS:

- It is possible to supply the inserts with d1 diameter by customer design, on request and for quantities.
- It is possible to supply the inserts with different treatment-finishes, on request and for quantities.
- It is possible to supply the inserts in different materials, on request and for quantities.
- It is possible to supply arm and handle with colours as shown in the table at page 15, on request and for quantities.

Art.	L	R	H	D	d	m	c	A	B	h	d3	h3	dm	d1	Q	dl	L1	Weight (gr)
E221-65 D05	88	65	30	26	22	17	13	18	9,5	8	15	3	12	D05 H9	20	20	56	101
E221-65 D10	88	65	30	26	22	17	13	18	9,5	8	15	3	12	D10	20	20	56	107
E221-80 D05	106	80	33	30	26	19	13	21,5	11	9	17	3	14	D05 H9	20	20	56	125
E221-80 D10	106	80	33	30	26	19	13	21,5	11	9	17	3	14	D10	20	20	56	130
E221-110 D05	138	110	39	33	28,5	22	14	22	12	11	21	3,5	14	D05 H9	22	23	66	175
E221-110 D12	138	110	39	33	28,5	22	14	22	12	11	21	3,5	14	D12	22	23	66	167
E221-140 D05	173	140	49	43	35	34	16	25,5	13,5	15	27	3	20	D05 H9	22	25	77	265
E221-140 D14	173	140	49	43	35	34	16	25,5	13,5	15	27	3	20	D14	22	25	77	257
E221-180 D05	219	180	54	46	39	40	16,5	26,5	14	16,5	27,5	4	24	D05 H9	26	25	87	445
E221-180 D16	219	180	54	46	39	40	16,5	26,5	14	16,5	27,5	4	24	D16	26	25	87	390

It's possible to increase the hole, by boring, until dm.

ART. E222

CRANK HANDLE WITH SMOOTH INSERT AND REVOLVING HANDLE M129



MATERIAL:

Reinforced polyamide.
Oils and greases resistant.

SURFACE:

Satin.

COLOUR:

Black (RAL 9011).

MAIN INSERT:

Zinc plated steel blind bored bush with
H7 tolerance.

SIDE INSERT:

Brass right through threaded bush.

SIDE HANDLE:

Revolving handle Art. M129
(see chapter M on page 9).

SPECIAL REQUESTS:

- It is possible to supply the inserts with d1 diameter by customer design, on request and for quantities.
- It is possible to supply the inserts with different treatment-finishes, on request and for quantities.
- It is possible to supply the inserts in different materials, on request and for quantities.
- It is possible to supply arm and handle with colours as shown in the table at page 15, on request and for quantities.

Art.	L	R	H	D	d	m	c	A	B	h	d3	h3	dm	d1	Q	dl	L1	Weight (gr)
E222-65 D05	88	65	30	26	22	17	13	18	9,5	8	15	3	12	D05 H9	20	20	52	111
E222-65 D10	88	65	30	26	22	17	13	18	9,5	8	15	3	12	D10	20	20	52	117
E222-80 D05	106	80	33	30	26	19	13	21,5	11	9	17	3	14	D05 H9	20	20	52	135
E222-80 D10	106	80	33	30	26	19	13	21,5	11	9	17	3	14	D10	20	20	52	140
E222-110 D05	138	110	39	33	28,5	22	14	22	12	11	21	3,5	14	D05 H9	22	23	62	185
E222-110 D12	138	110	39	33	28,5	22	14	22	12	11	21	3,5	14	D12	22	23	62	177
E222-140 D05	173	140	49	43	35	34	16	25,5	13,5	15	27	3	20	D05 H9	22	25	72	275
E222-140 D14	173	140	49	43	35	34	16	25,5	13,5	15	27	3	20	D14	22	25	72	267
E222-180 D05	219	180	54	46	39	40	16,5	26,5	14	16,5	27,5	4	24	D05 H9	26	25	82	455
E222-180 D16	219	180	54	46	39	40	16,5	26,5	14	16,5	27,5	4	24	D16	26	25	82	400

It's possible to increase the hole, by boring, until dm.



BOTECA

ART. E217

CRANK HANDLE WITH SMOOTH INSERT AND REVOLVING AND FOLDING HANDLE

MATERIAL:

Reinforced polyamide.
Oils and greases resistant.

SURFACE:

Satin.

COLOUR:

Black (RAL 9011).

MAIN INSERT:

Zinc plated steel blind bored bush with H7 tolerance.

SIDE INSERT:

Brass right through threaded bush.

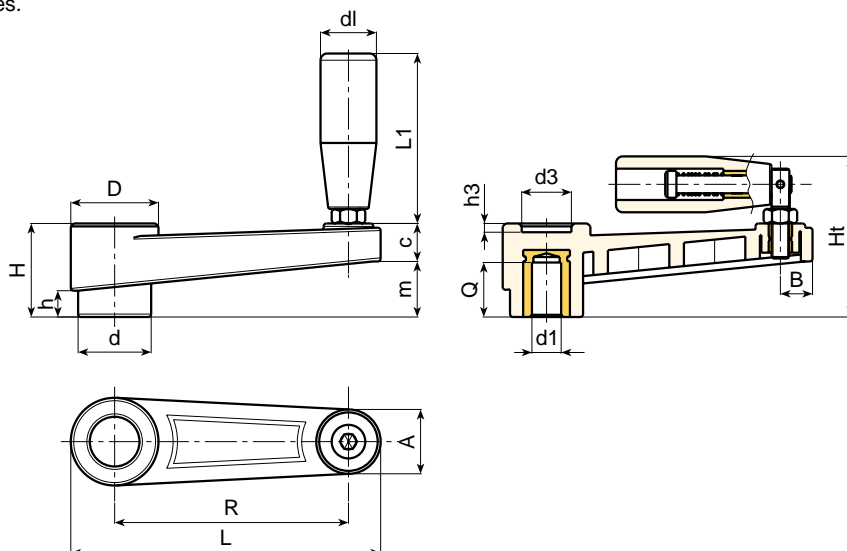
SIDE HANDLE:

Revolving handle and folding Art. M136
(see chapter M on page 10).



SPECIAL REQUESTS:

- It is possible to supply the inserts with d1 diameter by customer design, on request and for quantities.
- It is possible to supply the inserts with different treatment-finishes, on request and for quantities.
- It is possible to supply the inserts in different materials, on request and for quantities.
- It is possible to supply arm and handle with colours as shown in the table at page 15, on request and for quantities.



Art.	L	R	H	Ht	D	d	m	c	A	B	h	d3	h3	dm	d1 H7	Q	dl	L1	Weight (gr)
E217-65 D05	88	65	30	54	26	22	17	13	18	9,5	8	15	3	12	D05 H9	20	20	54	105
E217-65 D10	88	65	30	54	26	22	17	13	18	9,5	8	15	3	12	D10	20	20	54	100
E217-80 D05	106	80	33	57	30	26	19	13	21,5	11	9	17	3	14	D05 H9	20	20	54	115
E217-80 D10	106	80	33	57	30	26	19	13	21,5	11	9	17	3	14	D10	20	20	54	110
E217-110 D05	138	110	39	67,5	33	28,5	22	14	22	12	11	21	3,5	14	D05 H9	22	25	75	156
E217-110 D12	138	110	39	67,5	33	28,5	22	14	22	12	11	21	3,5	14	D12	22	25	75	156
E217-140 D05	173	140	49	82	43	35	34	16	25,5	13,5	15	27	3	20	D05 H9	22	26	89	300
E217-140 D14	173	140	49	82	43	35	34	16	25,5	13,5	15	27	3	20	D14	22	26	89	240
E217-180 D05	219	180	54	88	46	39	40	16,5	26,5	14	16,5	27,5	4	24	D05 H9	26	26	97	450
E217-180 D16	219	180	54	88	46	39	40	16,5	26,5	14	16,5	27,5	4	24	D16	26	26	97	430

It's possible to increase the hole, by boring, until dm.



BOTECA

ART. E518

INDEXED CRANK HANDLE WITH THREADED INSERT AND REVOLVING HANDLE

MATERIAL:

Reinforced polyamide.
Oils and greases resistant.

SURFACE:

Satin.

COLOUR:

Black (RAL 9011).

MAIN INSERT:

Zinc plated steel blind threaded bush.

SIDE INSERT:

Brass right through threaded bush.

SPRING:

Zinc plated steel spring.

FIXING SCREW:

Black-oxye treated screw with head for fitting screwdriver.

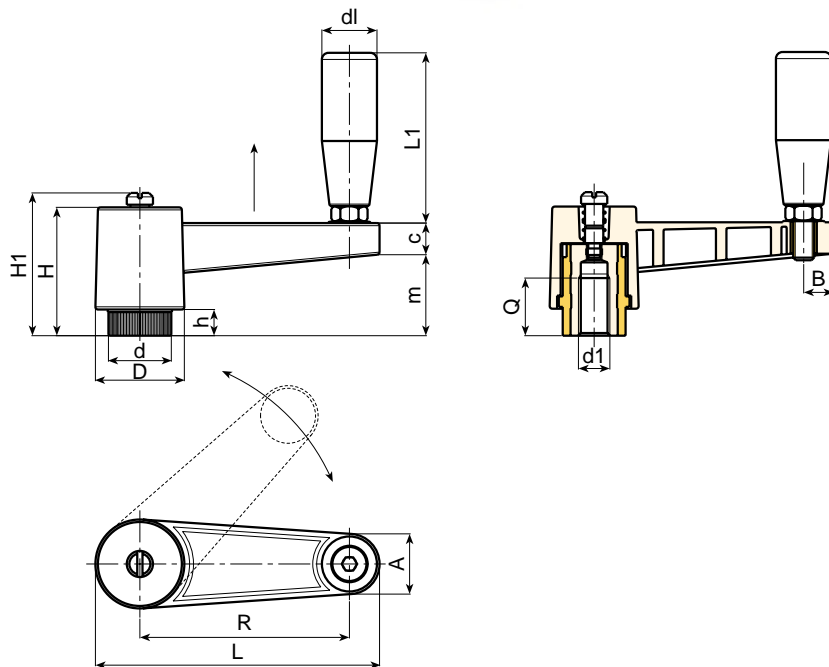
SIDE HANDLE:

Revolving handle Art. M144
(see chapter M on page 6).



SPECIAL REQUESTS:

- It is possible to supply the inserts in different materials, on request and for quantities.
- It is possible to supply arm and handle with colours as shown in the table at page 15, on request and for quantities.



Art.	L	R	H	D	d	m	c	A	B	h	H1	d1	Q	dl	L1	Weight (gr)
E518-65 M08	86	65	46	27	19	29	13	17	9	10	-	M08	18	20	56	94
E518-65 M10	86	65	46	27	19	29	13	17	9	10	-	M10	17	20	56	90
E518-65 M12	86	65	46	27	19	29	13	17	9	10	-	M12	17	20	56	90
E518-80 M12	108	80	50	34	24	32	13	22	11,5	10,5	53	M12	22	21	66	172
E518-80 M14	108	80	50	34	24	32	13	22	11,5	10,5	53	M14	23	21	66	164
E518-80 M16	108	80	50	34	24	32	13	22	11,5	10,5	53	M16	20	21	66	154
E518-110 M12	138	110	50	34	24,5	33	13	22	11,5	11	54	M12	20	21	66	181
E518-110 M14	138	110	50	34	24,5	33	13	22	11,5	11	54	M14	20	21	66	195
E518-110 M16	138	110	50	34	24,5	33	13	22	11,5	11	54	M16	20	21	66	198



BOTECA

ART. E513

INDEXED CRANK HANDLE WITH THREADED INSERT AND REVOLVING HANDLE M145



MATERIAL:

Reinforced polyamide.
Oils and greases resistant.

SURFACE:

Satin.

COLOUR:

Black (RAL 9011).

MAIN INSERT:

Zinc plated steel blind threaded bush.

SIDE INSERT:

Brass right through threaded bush.

SPRING:

Zinc plated steel spring.

FIXING SCREW:

Black-oxyde treated screw with head for fitting screwdriver.

SIDE HANDLE:

Revolving handle Art. M145 (see chapter M on page 8).

SPECIAL REQUESTS:

- It is possible to supply the inserts in different materials, on request and for quantities.
- It is possible to supply arm and handle with colours as shown in the table at page 15, on request and for quantities.

Art.	L	R	H	D	d	m	c	A	B	h	H1	d1	Q	dl	L1	Weight (gr)
E513-65 M08	86	65	46	27	19	29	13	17	9	10	-	M08	18	20	56	96
E513-65 M10	86	65	46	27	19	29	13	17	9	10	-	M10	17	20	56	92
E513-65 M12	86	65	46	27	19	29	13	17	9	10	-	M12	17	20	56	91
E513-80 M12	108	80	50	34	24,5	32	13	22	11,5	10,5	53	M12	22	23	66	177
E513-80 M14	108	80	50	34	24,5	32	13	22	11,5	10,5	53	M14	23	23	66	179
E513-80 M16	108	80	50	34	24,5	32	13	22	11,5	10,5	53	M16	20	23	66	169
E513-110 M12	138	110	50	34	24,5	33	13	22	11,5	11	54	M12	20	23	66	196
E513-110 M14	138	110	50	34	24,5	33	13	22	11,5	11	54	M14	20	23	66	200
E513-110 M16	138	110	50	34	24,5	33	13	22	11,5	11	54	M16	20	23	66	205

ART. E517

INDEXED CRANK HANDLE WITH THREADED INSERT AND REVOLVING HANDLE M129



MATERIAL:

Reinforced polyamide.
Oils and greases resistant.

SURFACE:

Satin.

COLOUR:

Black (RAL 9011).

MAIN INSERT:

Zinc plated steel blind threaded bush.

SIDE INSERT:

Brass right through threaded bush.

SPRING:

Zinc plated steel spring.

FIXING SCREW:

Black-oxyde treated screw with head for fitting screwdriver.

SIDE HANDLE:

Revolving handle Art. M129 (see chapter M on page 9).

SPECIAL REQUESTS:

- It is possible to supply the inserts in different materials, on request and for quantities.
- It is possible to supply arm and handle with colours as shown in the table at page 15, on request and for quantities.

Art.	L	R	H	D	d	m	c	A	B	h	H1	d1	Q	dl	L1	Weight (gr)
E517-65 M08	86	65	46	27	19	29	13	17	9	9,5	-	M08	18	20	52	106
E517-65 M10	86	65	46	27	19	29	13	17	9	9,5	-	M10	17	20	52	102
E517-65 M12	86	65	46	27	19	29	13	17	9	9,5	-	M12	17	20	52	102
E517-80 M12	108	80	50	34	24,5	32	13	22	11,5	10,5	53	M12	22	23	62	187
E517-80 M14	108	80	50	34	24,5	32	13	22	11,5	10,5	53	M14	23	23	62	189
E517-80 M16	108	80	50	34	24,5	32	13	22	11,5	10,5	53	M16	20	23	62	179
E517-110 M12	138	110	50	34	24,5	33	13	22	11,5	11	54	M12	20	23	62	206
E517-110 M14	138	110	50	34	24,5	33	13	22	11,5	11	54	M14	20	23	62	198
E517-110 M16	138	110	50	34	24,5	33	13	22	11,5	11	54	M16	20	23	62	196



BOTECO

ART. E519

INDEXED CRANK HANDLE WITH THREADED INSERT AND REVOLVING AND FOLDING HANDLE

MATERIAL:

Reinforced polyamide.
Oils and greases resistant.

SURFACE:

Satin.

COLOUR:

Black (RAL 9011).

MAIN INSERT:

Zinc plated steel blind threaded bush.

SIDE INSERT:

Brass right through threaded bush.

SPRING:

Zinc plated steel spring.

FIXING SCREW:

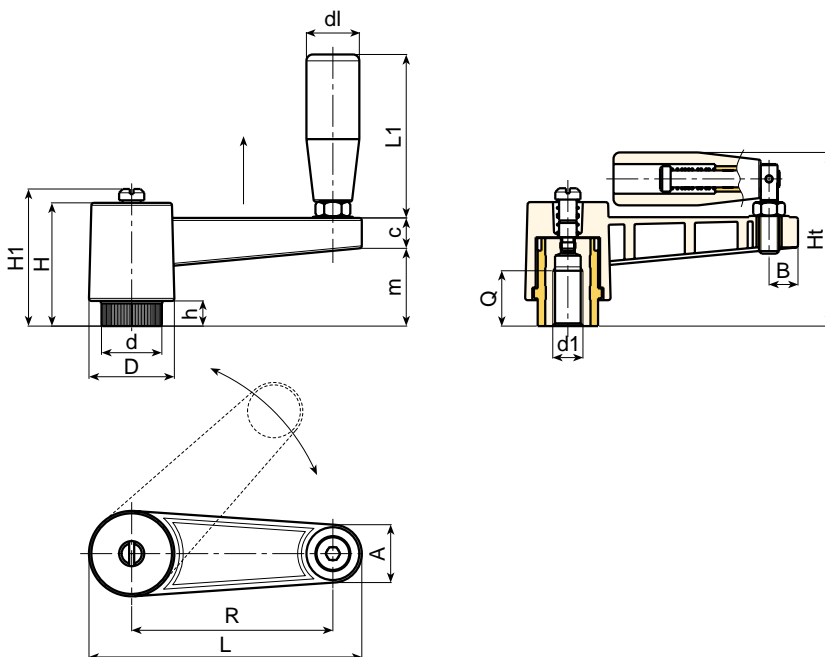
Black-oxide treated screw with head for fitting screwdriver.

SIDE HANDLE:

Revolving handle and folding Art. M136
(see chapter M on page 10).

SPECIAL REQUESTS:

- It is possible to supply the inserts in different materials, on request and for quantities.
- It is possible to supply arm and handle with colours as shown in the table at page 15, on request and for quantities.



Art.	L	R	H	D	d	m	c	A	B	h	H1	Ht	d1	Q	dl	L1	Weight (gr)
E519-65 M08	86	65	46	27	19	29	13	17	9	10	-	66,5	M08	18	20	54	104
E519-65 M10	86	65	46	27	19	29	13	17	9	10	-	66,5	M10	17	20	54	102
E519-65 M12	86	65	46	27	19	29	13	17	9	10	-	66,5	M12	17	20	54	100
E519-80 M12	108	80	50	34	24,5	32	13	22	11,5	10,5	53	75	M12	22	25	75	185
E519-80 M14	108	80	50	34	24,5	32	13	22	11,5	10,5	53	75	M14	23	25	75	180
E519-80 M16	108	80	50	34	24,5	32	13	22	11,5	10,5	53	75	M16	20	25	75	174
E519-110 M12	138	110	50	34	24,5	33	13	22	11,5	11	53	75	M12	20	25	75	199
E519-110 M14	138	110	50	34	24,5	33	13	22	11,5	11	53	75	M14	20	25	75	220
E519-110 M16	138	110	50	34	24,5	33	13	22	11,5	11	53	75	M16	20	25	75	225



BOTECA

ART. E520

INDEXED CRANK HANDLE WITH SMOOTH INSERT AND REVOLVING HANDLE

MATERIAL:

Reinforced polyamide.
Oils and greases resistant.

SURFACE:

Satin.

COLOUR:

Black (RAL 9011).

MAIN INSERT:

Zinc plated steel blind bored bush with H7 tolerance.

SIDE INSERT:

Brass right through threaded bush.

SPRING:

Zinc plated steel spring.

FIXING SCREW:

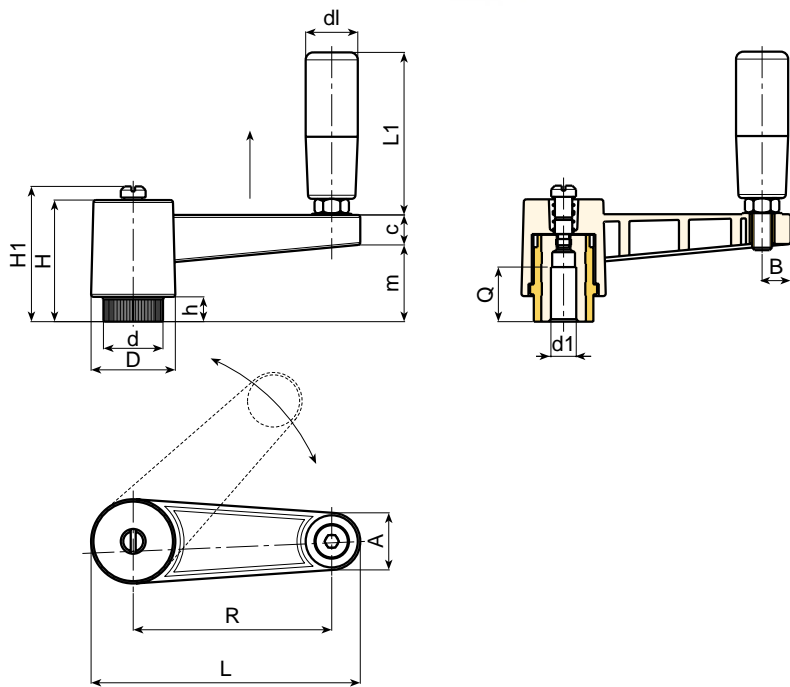
Black-oxyde treated screw with head for fitting screwdriver.

SIDE HANDLE:

Revolving handle Art. M144
(see chapter M on page 6).

SPECIAL REQUESTS:

- It is possible to supply the inserts in different materials, on request and for quantities.
- It is possible to supply arm and handle with colours as shown in the table at page 15, on request and for quantities.



Art.	L	R	H	D	d	m	c	A	B	h	H1	d1 H7	Q	dl	L1	Weight (gr)
E520-65 D08	86	65	46	27	19	29	13	17	9	10	-	D08	22	20	56	83
E520-80 D10	108	80	50	34	24,5	32	13	22	11,5	10,5	53	D10	24	21,5	66	177
E520-80 D12	108	80	50	34	24,5	32	13	22	11,5	10,5	53	D12	23	21,5	66	174
E520-110 D12	138	110	50	34	24,5	33	13	22	11,5	11	54	D12	28	21,5	66	200
E520-110 D14	138	110	50	34	24,5	33	13	22	11,5	11	54	D14	26	21,5	66	210



BOTECO

ART. E511

INDEXED CRANK HANDLE WITH SMOOTH INSERT AND REVOLVING HANDLE M145



MATERIAL:

Reinforced polyamide.
Oils and greases resistant.

SURFACE:

Satin.

COLOUR:

Black (RAL 9011).

MAIN INSERT:

Zinc plated steel blind bored bush with H7 tolerance.

SIDE INSERT:

Brass right through threaded bush.

SPRING:

Zinc plated steel spring.

FIXING SCREW:

Black-oxyde treated screw with head for fitting screwdriver.

SIDE HANDLE:

Revolving handle Art. M145
(see chapter M on page 8).

SPECIAL REQUESTS:

- It is possible to supply the inserts in different materials, on request and for quantities.
- It is possible to supply arm and handle with colours as shown in the table at page 15, on request and for quantities.

Art.	L	R	H	D	d	m	c	A	B	h	H1	d1 H7	Q	dl	L1	Weight (gr)
E511-65 D08	86	65	46	27	19	29	13	17	9	10	-	D08	22	20	56	92
E511-80 D10	108	80	50	34	24,5	32	13	22	11,5	10,5	53	D10	24	23	66	187
E511-80 D12	108	80	50	34	24,5	32	13	22	11,5	10,5	53	D12	23	23	66	184
E511-110 D12	138	110	50	34	24,5	33	13	22	11,5	11	54	D12	28	23	66	205
E511-110 D14	138	110	50	34	24,5	33	13	22	11,5	11	54	D14	26	23	66	215

ART. E516

INDEXED CRANK HANDLE WITH SMOOTH INSERT AND REVOLVING HANDLE M129



MATERIAL:

Reinforced polyamide.
Oils and greases resistant.

SURFACE:

Satin.

COLOUR:

Black (RAL 9011).

MAIN INSERT:

Zinc plated steel blind bored bush with H7 tolerance.

SIDE INSERT:

Brass right through threaded bush.

SPRING:

Zinc plated steel spring.

FIXING SCREW:

Black-oxyde treated screw with head for fitting screwdriver.

SIDE HANDLE:

Revolving handle Art. M129
(see chapter M on page 9).

SPECIAL REQUESTS:

- It is possible to supply the inserts in different materials, on request and for quantities.
- It is possible to supply arm and handle with colours as shown in the table at page 15, on request and for quantities.

Art.	L	R	H	D	d	m	c	A	B	h	H1	d1 H7	Q	dl	L1	Weight (gr)
E516-65 D08	86	65	46	27	19	29	13	17	9	10	-	D08	22	20	52	95
E516-80 D10	108	80	50	34	24,5	32	13	22	11,5	10,5	53	D10	24	23	62	197
E516-80 D12	108	80	50	34	24,5	32	13	22	11,5	10,5	53	D12	23	23	62	194
E516-110 D12	138	110	50	34	24,5	33	13	22	11,5	11	54	D12	28	23	62	207
E516-110 D14	138	110	50	34	24,5	33	13	22	11,5	11	54	D14	26	23	62	218



BOTECA

ART. E521

INDEXED CRANK HANDLE WITH SMOOTH INSERT AND REVOLVING AND FOLDING HANDLE

MATERIAL:

Reinforced polyamide.
Oils and greases resistant.

SURFACE:

Satin.

COLOUR:

Black (RAL 9011).

MAIN INSERT:

Zinc plated steel blind bored bush with H7 tolerance.

SIDE INSERT:

Brass right through threaded bush.

SPRING:

Zinc plated steel spring.

FIXING SCREW:

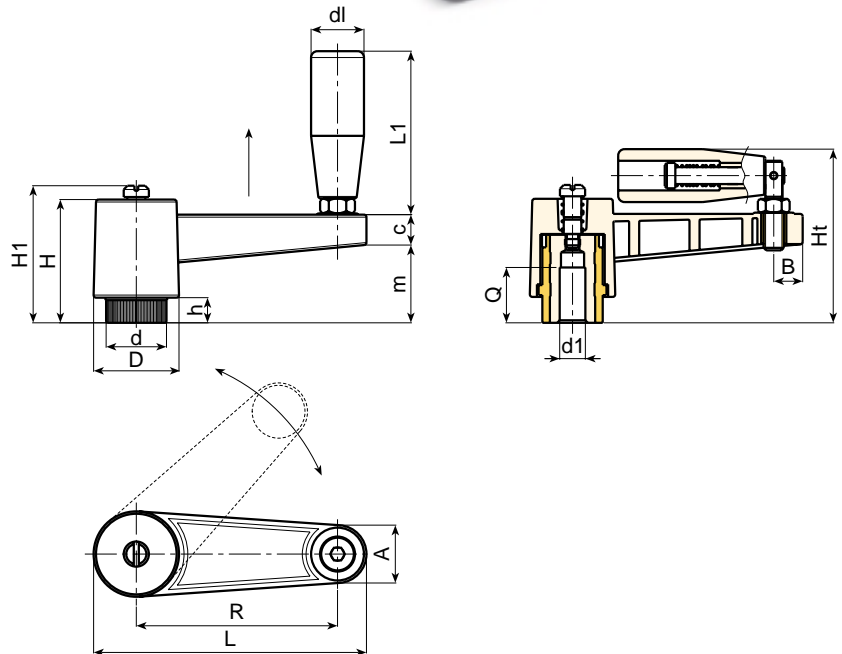
Black-oxide treated screw with head for fitting screwdriver.

SIDE HANDLE:

Revolving handle and folding Art. M136
(see chapter M on page 10).

SPECIAL REQUESTS:

- It is possible to supply the inserts in different materials, on request and for quantities.
- It is possible to supply arm and handle with colours as shown in the table at page 15, on request and for quantities.



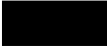


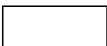









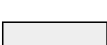


Art.	L	R	H	D	d	m	c	A	B	h	H1	Ht	d1 H7	Q	dI	L1	Weight (gr)
E521-65 D08	86	65	46	27	19	29	13	17	9	10	-	66,5	D08	22	20	54	105
E521-80 D10	108	80	50	34	24,5	32	13	22	11,5	10,5	53	75	D10	24	25	75	190
E521-80 D12	108	80	50	34	24,5	32	13	22	11,5	10,5	53	75	D12	23	25	75	188
E521-110 D12	138	110	50	34	24,5	33	13	22	11,5	11	54	75	D12	28	25	75	220
E521-110 D14	138	110	50	34	24,5	33	13	22	11,5	11	54	75	D14	26	25	75	225












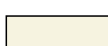


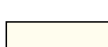

BOTECA

COLOUR CHART

R A L

COLOUR		RAL	CODE
Black		9011	01
Orange		2004	02
Orange		2011	03
White		9010	04
Blue		5002	05
Blue		5005	06
Blue		5015	07
Blue		5018	19
Blue		5019	21
Blue		5010	22
Yellow		1007	09
Yellow		1021	10
Grey		7024	12
Grey		7035	13
Red		3000	16
Green		6024	17

O T H E R C O L O U R S

COLOUR		REF.	CODE
White		-	52
Blue		-	53
Blue		pant. 645 U	54
Blue		pant. 300	55
Grey		-	57
Grey		-	59
Grey		NCS 7500	60
Red		-	64
Red		-	65
Natural		-	66
Green		-	70
Brown		-	71
Cream		-	72
Violet		-	73





BOTECO Spa - 36010 ZANÈ (VI) ITALY
Via L. Pettinà, 16 (side street of Via Cuso)
P.O. BOX 63 36010 Zanè
Switchboard Tel. ++39-0445.316411 - Fax ++39-0445.316400
Sales Office Fax ++39-0445.316401
Administration Fax ++39-0445.316402
E-Mail: boteco@boteco.it - sales@boteco.it
administration@boteco.it - Home Page: www.boteco.it

AUTHORISED RESELLER

