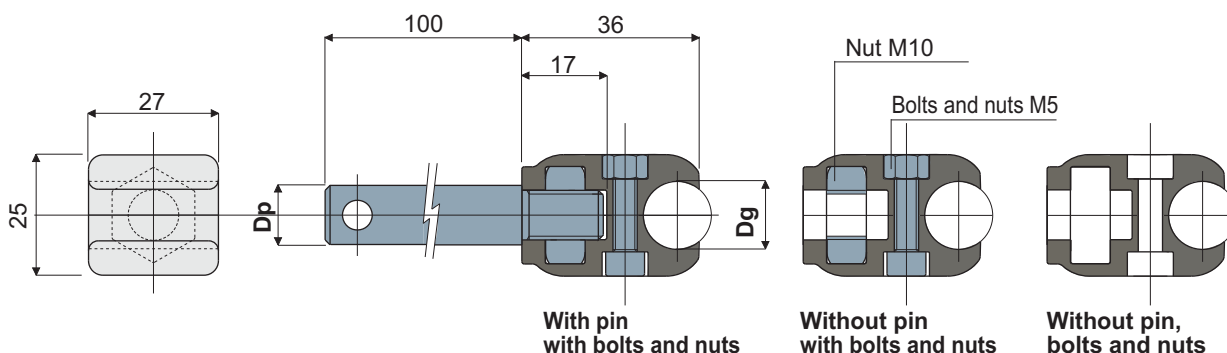


# Guide rail clamp

(for round rail)

Part. **204**



Dp Pin diameter (mm)	Dg Rail diameter (mm)	With pin with bolts and nuts Code
12	8	204 / 80798
	10	204 / 80799
	12	204 / 80800
	14	204 / 80801
14	8	204 / 80802
	10	204 / 80803
	12	204 / 80804
16	14	204 / 80805
	8	204 / 80806
	10	204 / 80807
	12	204 / 80808
	14	204 / 80809

Dg Rail diameter (mm)	Without pin with bolts and nuts Code
8	204 / 80810
10	204 / 80811
12	204 / 80812
14	204 / 80813

Dg Rail diameter (mm)	Without pin, bolts and nuts Code
8	204 / 80978
10	204 / 80979
12	204 / 80980
14	204 / 80981

**MATERIALS:** Clamp made of reinforced polyamide black colour; pin, bolts and nuts made of stainless steel AISI 304.

**FEATURES:** Supplied with or without support pin and with or without bolts and nuts.

**BOX QUANTITY:** 24 pieces.

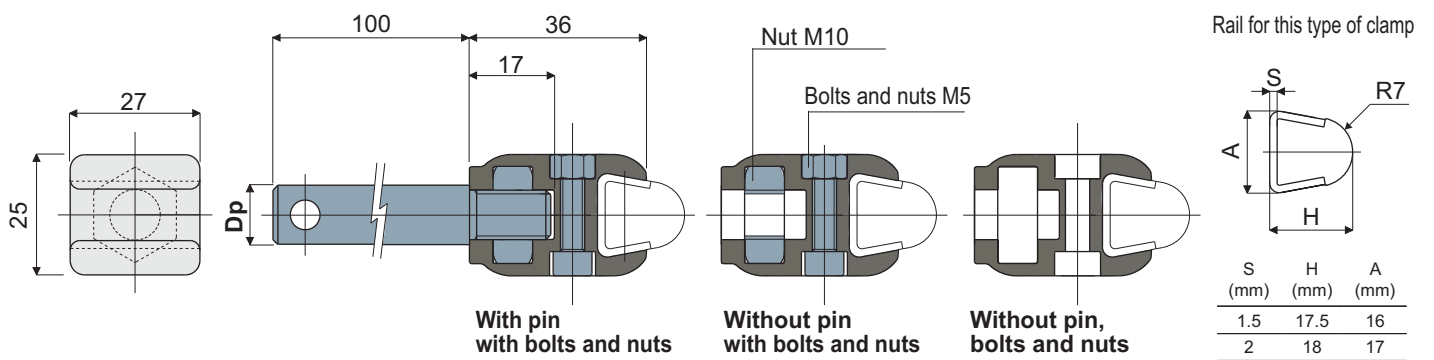
**ON REQUEST:**

- Clamps: In reinforced polypropylene, other colours.
- Box Quantity: According to your request.

# Guide rail clamp

(for trapezoidal rail)

Part. **205**



Dp Pin diameter (mm)	With pin with bolts and nuts	Without pin with bolts and nuts	Without pin, bolts and nuts
	Code	Code	Code
12	205 / 80814		
14	205 / 80815	205 / 80817	205 / 80982
16	205 / 80816		

**MATERIALS:** Clamp made of reinforced polyamide black colour; pin, bolts and nuts made of stainless steel AISI 304.

**FEATURES:** Supplied with or without support pin and with or without bolts and nuts. This part can be used with rails with thickness of 1,5 and 2 mm.

**BOX QUANTITY:** 24 pieces.

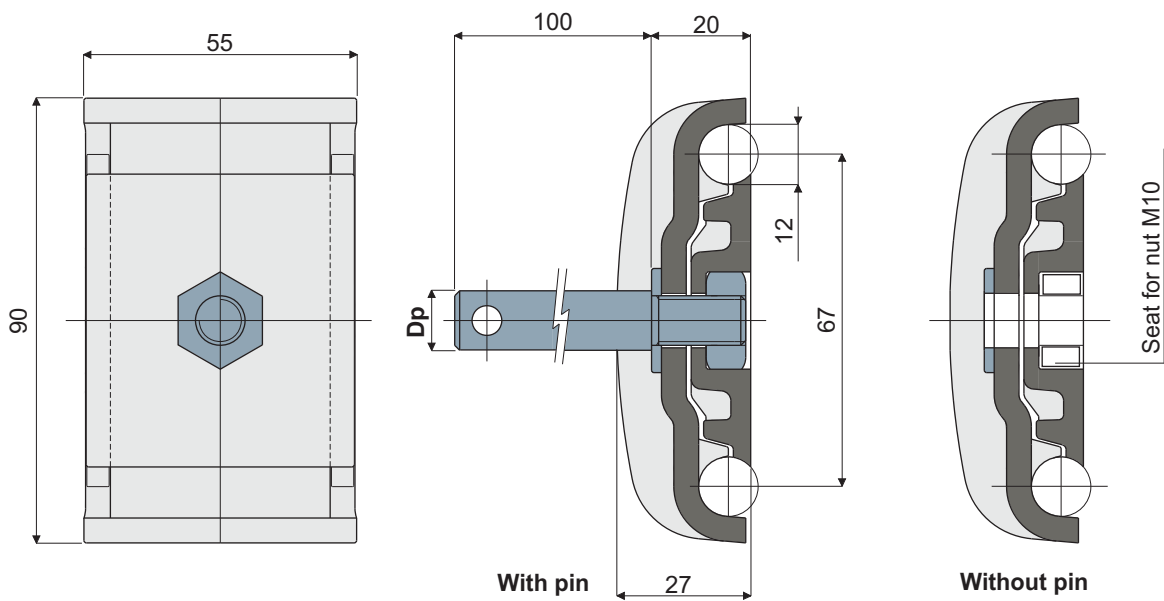
**ON REQUEST:**

- Clamps: In reinforced polypropylene, other colours.
- Box Quantity: According to your request.

# Guide rail clamp

(for round rails)

Part. **229**



Dp Pin diameter (mm)	With pin Code	Without pin Code
12	229 / 80681	
14	229 / 80682	229 / 80609
16	229 / 80683	

**MATERIALS:** Clamp made of reinforced polyamide black colour; pin, nut and washer made of stainless steel AISI 304.

**FEATURES:** Supplied with or without support pin.

**BOX QUANTITY:** 24 pieces.

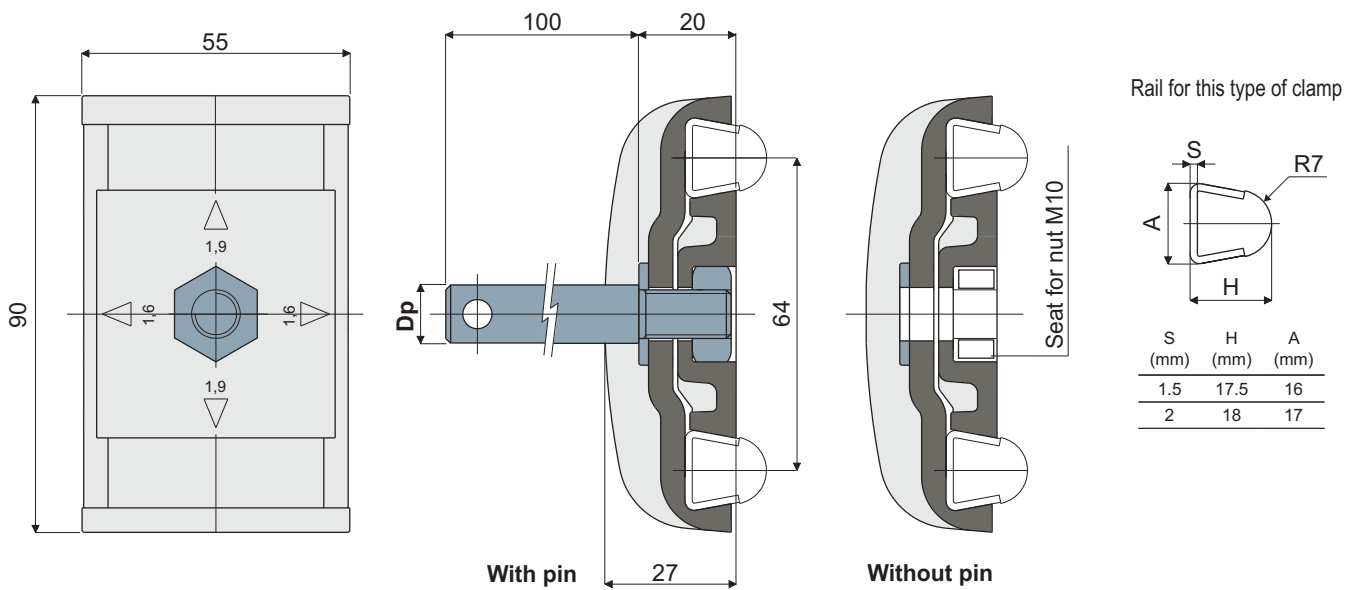
**ON REQUEST:**

- Clamps: In reinforced polypropylene, other colours.
- Box Quantity: According to your request.

# Guide rail clamp

(for trapezoidal rails)

Part. **230**



Dp Pin diameter (mm)	With pin Code	Without pin Code
12	230 / 80684	
14	230 / 80685	230 / 80611
16	230 / 80686	

**MATERIALS:** Clamp made of reinforced polyamide black colour; pin, nut and washer made of stainless steel AISI 304.

**FEATURES:** Supplied with or without support pin. This part can be used with rails with thickness of 1,5 and 2 mm, by rotating for 90° the central plate.

**BOX QUANTITY:** 24 pieces.

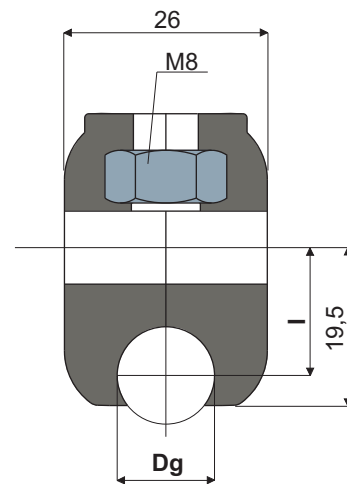
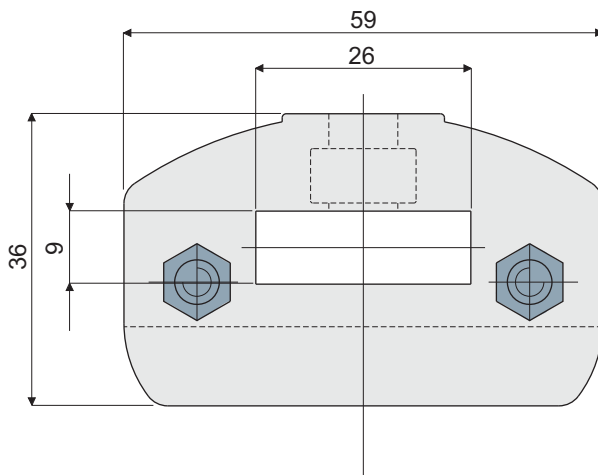
**ON REQUEST:**

- **Clamps:** In reinforced polypropylene, other colours.
- **Box Quantity:** According to your request.

# Guide rail clamp

(for round rails)

Part. **231**



Dg Rail diameter (mm)	l (mm)	Code
8	16	231 / 80749
10	15	231 / 80788
12	15	231 / 80687
14	15	231 / 80787

**MATERIALS:** Clamp made of reinforced polyamide black colour; screws and nuts made of stainless steel AISI 304.

**FEATURES:** To be used with flat support with sizes 25x8 mm.

**BOX QUANTITY:** 24 pieces.

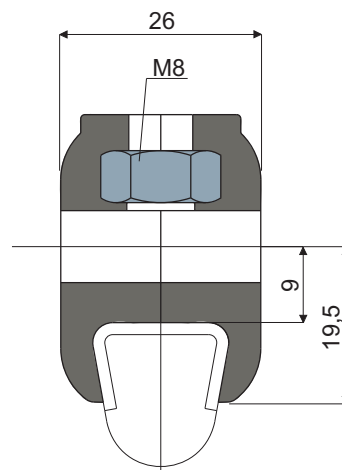
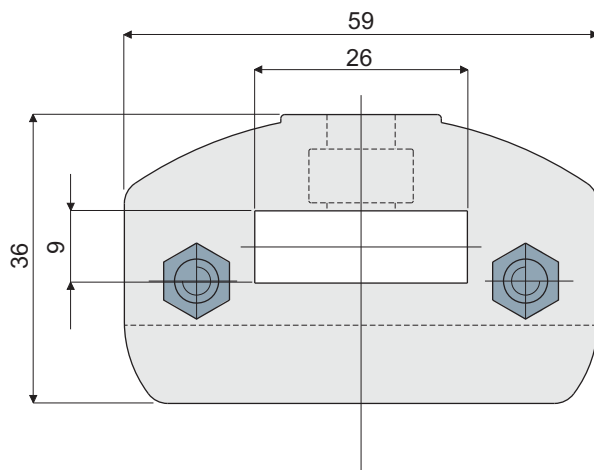
**ON REQUEST:**

- Clamps: In reinforced polypropylene, other colours.
- Box Quantity: According to your request.

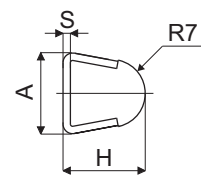
# Guide rail clamp

(for trapezoidal rails)

Part. **232**



Rail for this type of clamp



S (mm)	H (mm)	A (mm)
1.5	17.5	16
2	18	17

Code

232 / 80688

**MATERIALS:** Clamp made of reinforced polyamide black colour; screws and nuts made of stainless steel AISI 304.

**FEATURES:** Supplied assembled. To be used with flat support with sizes 25x8 mm. This part can be used with rails with thickness of 1,5 and 2 mm.

**BOX QUANTITY:** 24 pieces.

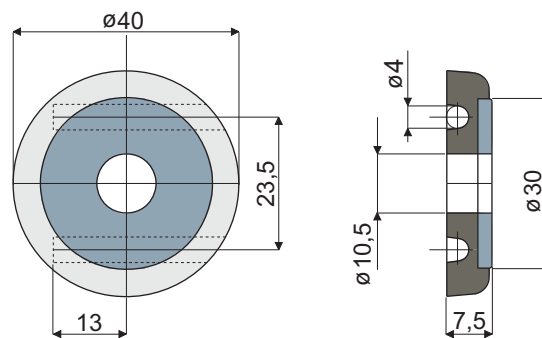
**ON REQUEST:**

- Clamps: In reinforced polypropylene, other colours.
- Box Quantity: According to your request.

# Mounting plate

(for drip tray support)

Part. **235**



Code

235 / 80778

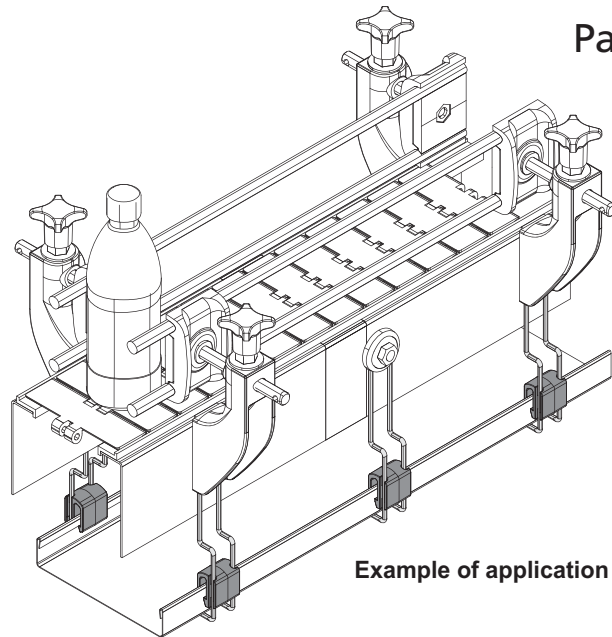
**MATERIALS:** Plate made of reinforced polyamide black colour; washer made of stainless steel AISI 304.

**FEATURES:** For application on conveyor side to fasten drip tray support.

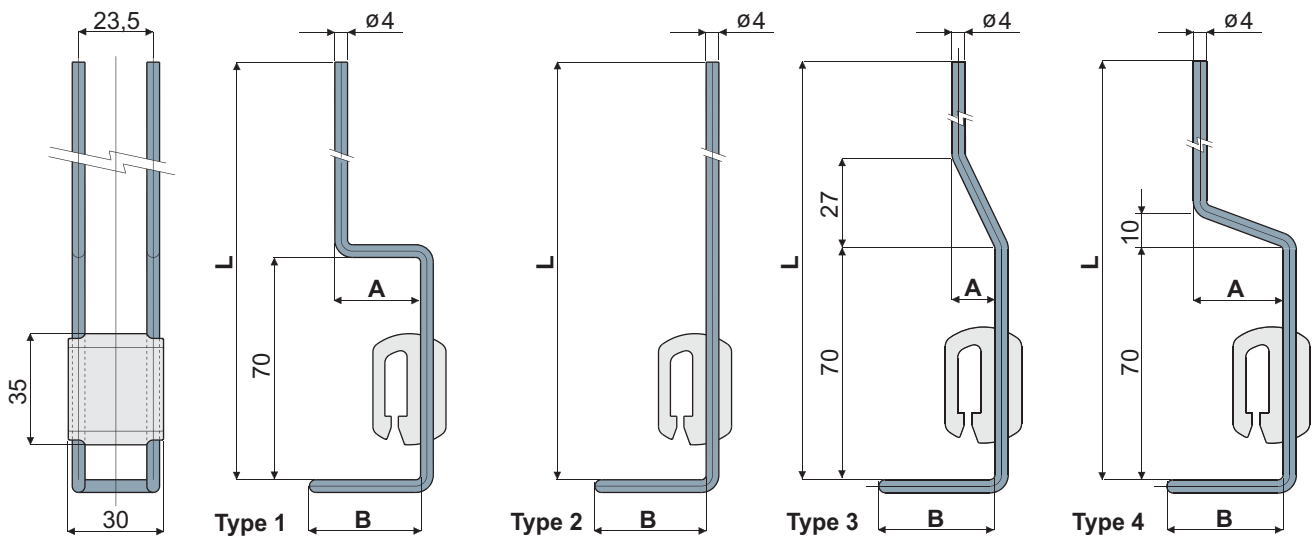
**BOX QUANTITY:** 24 pieces.

# Drip tray support

Part. **236**



Example of application



L (mm)	B (mm)	A (mm)	Type 1 Code
180	35	27	236 / 80779
180	35	17	236 / 81012
230	35	27	236 / 82683

L (mm)	B (mm)	Type 2 Code
200	35	236 / 80780
246	35	236 / 81013

L (mm)	B (mm)	A (mm)	Type 3 Code
250	35	13	236 / 82640

L (mm)	B (mm)	A (mm)	Type 4 Code
280	35	27	236 / 82949

**MATERIALS:** Support elements made of stainless steel AISI 304; body of coupling made of reinforced polyamide black colour.

**FEATURES:** To be used to support drip trays.

**BOX QUANTITY:** 24 pieces.

**ON REQUEST:**

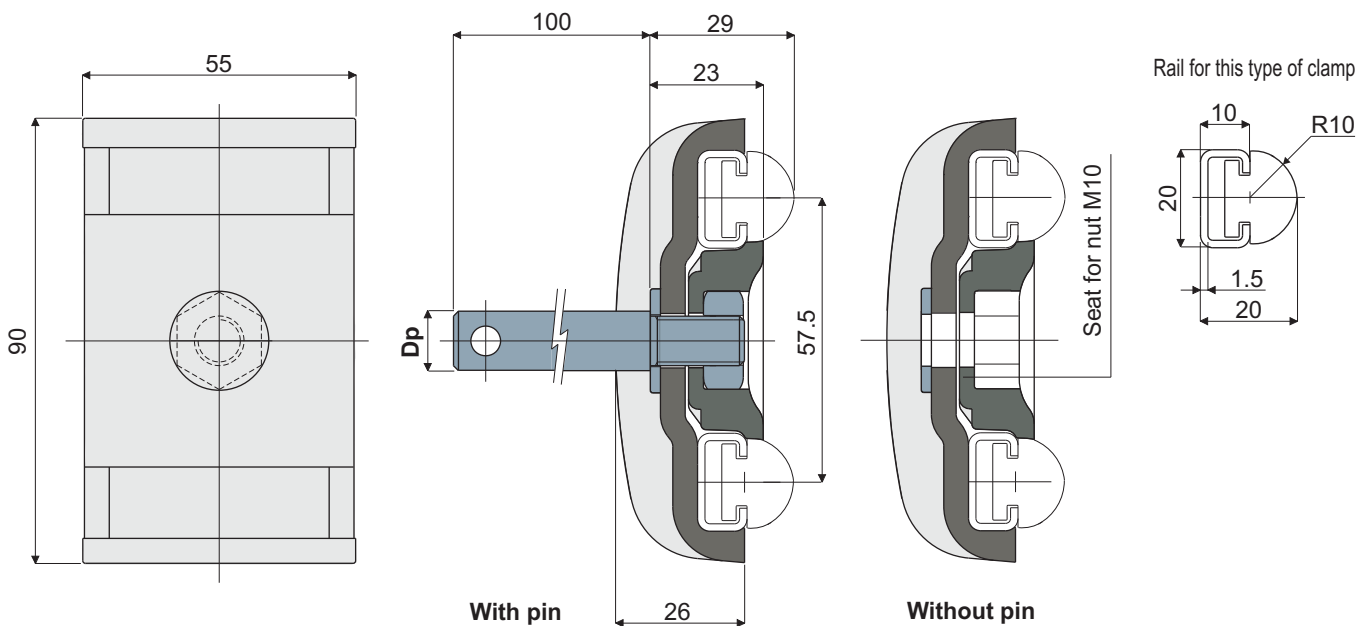
- Drip tray supports: Supplied in different shapes and sizes.
- Box Quantity: According to your request.



# Guide rail clamp

(for rectangular rails)

Part. **289**



Dp Pin diameter (mm)	With pin Code	Without pin Code
12	289 / 82569	
14	289 / 82570	289 / 82572
16	289 / 82571	

**MATERIALS:** Clamp made of reinforced polyamide black colour; pin, nut and washer made of stainless steel AISI 304.

**FEATURES:** Supplied with or without support pin.

**BOX QUANTITY:** 24 pieces.

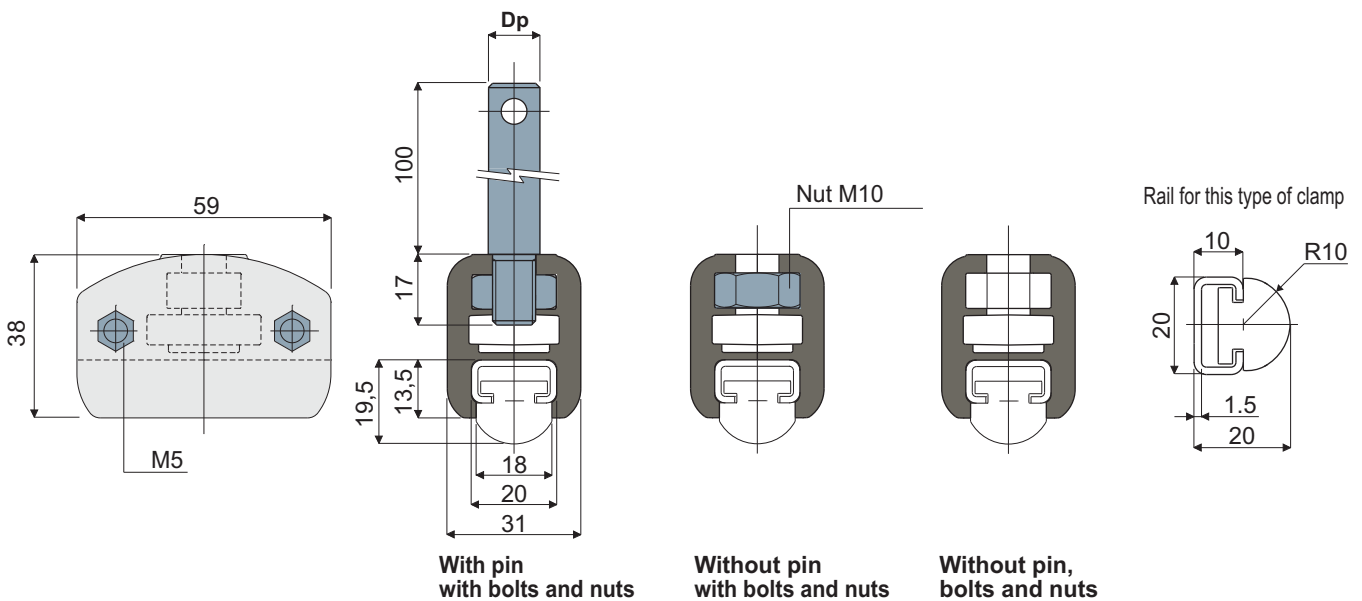
**ON REQUEST:**

- Clamps: In reinforced polypropylene, other colours.
- Box Quantity: According to your request.

# Guide rail clamp

(for rectangular rail)

Part. **290**



Dp Pin diameter (mm)	With pin with bolts and nuts	Without pin with bolts and nuts	Without pin, bolts and nuts
	Code	Code	Code
12	290 / 82573		
14	290 / 82574	290 / 82576	290 / 82577
16	290 / 82575		

**MATERIALS:** Clamp made of reinforced polyamide black colour; pin, screws and nuts made of stainless steel AISI 304.

**FEATURES:** Supplied with or without support pin.

**BOX QUANTITY:** 24 pieces.

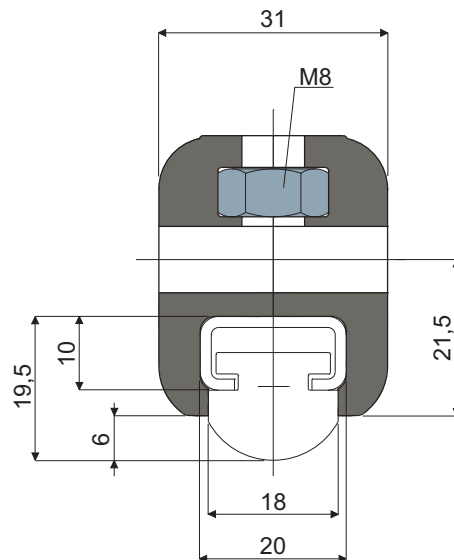
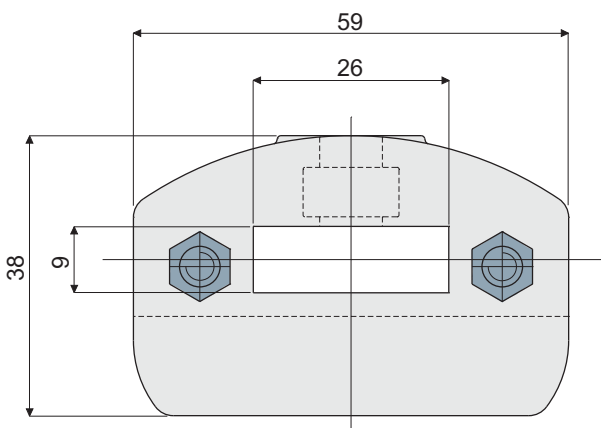
**ON REQUEST:**

- Clamps: In reinforced polypropylene, other colours.
- Box Quantity: According to your request.

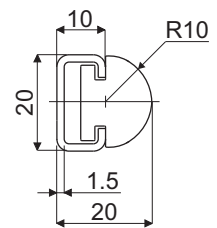
# Guide rail clamp

(for rectangular rail)

Part. **291**



Rail for this type of clamp



Code
291 / 82578

**MATERIALS:** Clamp made of reinforced polyamide black colour; screws and nuts made of stainless steel AISI 304.

**FEATURES:** Supplied assembled. To be used with flat profile with sizes 25x8 mm.

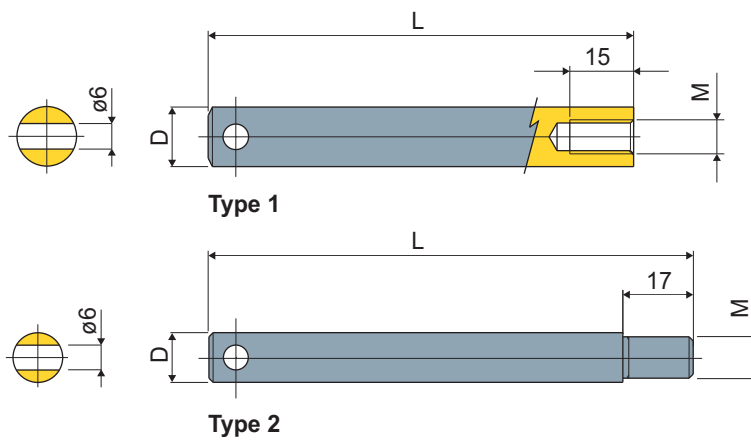
**BOX QUANTITY:** 24 pieces.

**ON REQUEST:**

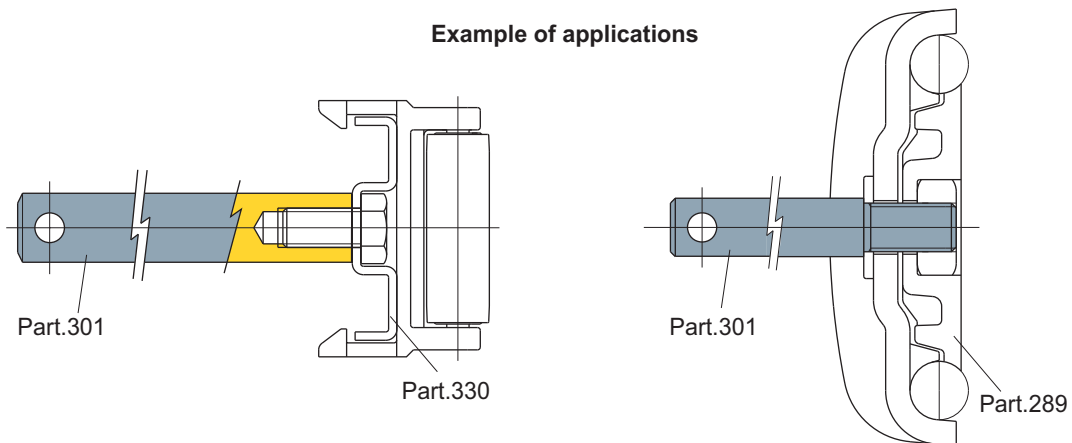
- Clamps: In reinforced polypropylene, other colours.
- Box Quantity: According to your request.

# Threaded pin

## Part. 301



### Example of applications



D (mm)	L (mm)	M (mm)	Type 1 Code
14	100	M8	301 / 82751

D (mm)	L (mm)	M (mm)	Type 2 Code
12	117	M10	301 / 83304
14	117	M10	301 / 83305
16	117	M10	301 / 83306

**MATERIALS:** Pin made of stainless steel AISI 304.

**FEATURES:** Type 1: can be mounted both on guide rail clamps or on side guides;  
Type 2: used for the mounting of Part. 289, 229, 230, 290, 204, 205.

**BOX QUANTITY:** 24 pieces.

**ON REQUEST:**

- Pins: In various lengths.
- Box Quantity: According to your request.